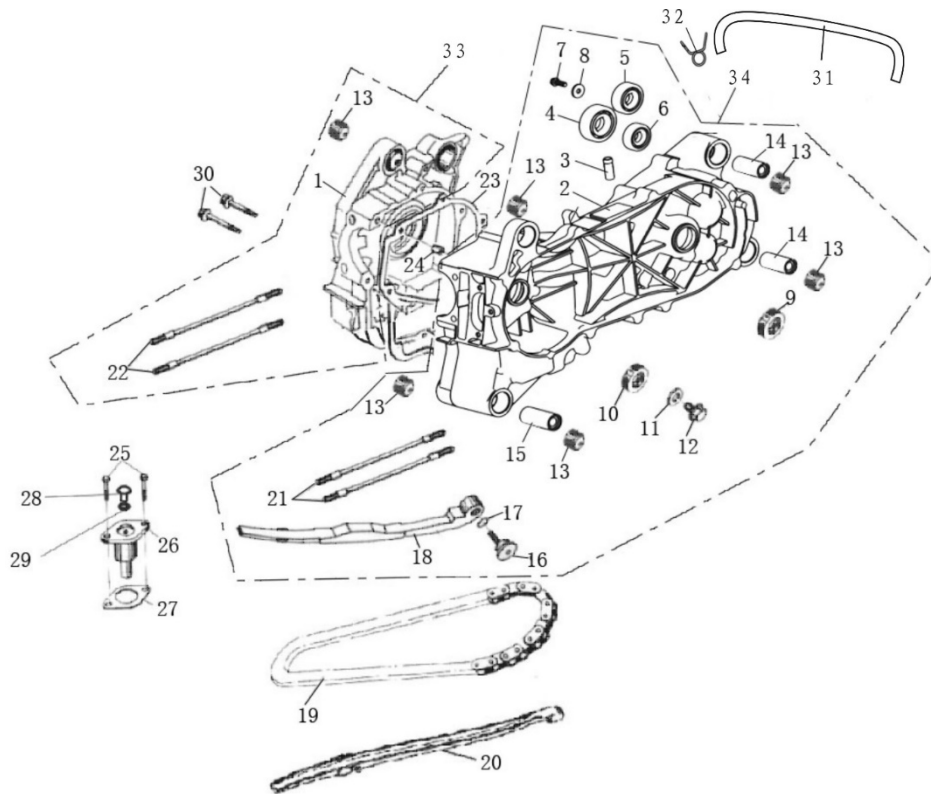




**TrailMaster Go-Kart
PARTS MANUAL
200XRS, 200XRS-E
200XRX, 200XRX-E**

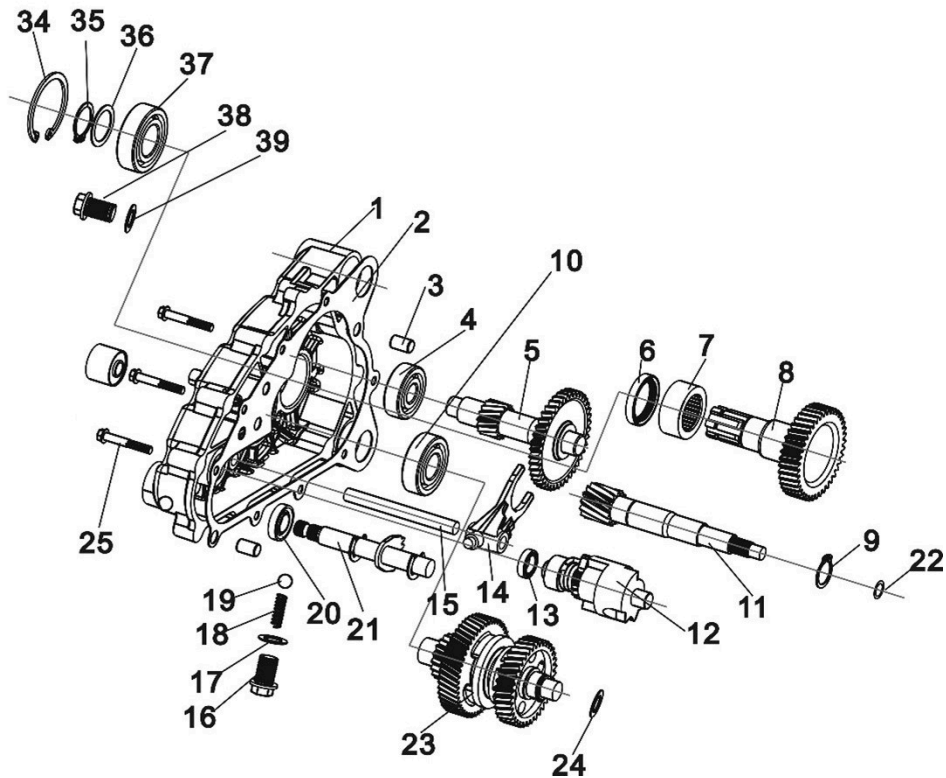
EN-FIG 1: ENGINE CASE COMP.



NO.	CODE	DESCRIPTION	QTY.
1	161QMK-A-1-203	RIGHT CASE BODY	1
2	157QMJ-B2-1-101	LEFT CRANKCASE BODY	1
3	157QMJ-B2-1-102	AIR TUBE CONNECTOR	1
4	GB/T 276 6204	BEARING 6204	1
5	GB/T 276 6203	BEARING 6203	1
6	GB/T 276 6202	BEARING 6202	1
7	GB/T16674 M6×14	BOLT GB/T16674 M6×14	1
8	1PE40QMB.14-03	WASHER 6	1
9	52T-5-3012	OIL SEAL 20×32×6	1
10	52T-1-111	OIL SEAL 19.8×30×5	1
11	52T-1-107	WASHER 12×18×1	2
12	52T-1-122	DRAIN PLUG	2
13	52T-1-103	DAMPING BUSHING	5
14	157QMJ-B2-1-123	COLLAR 42	2
15	157QMJ-B2-1-124	COLLAR 50	1
16	52T-1-116	SCREW	1
17	52T-1-117	O-RING 16X1.5	1
18	52T-1-115	CHAIN PULL ROD	1
19	152MI-2.0.4	TIMING CHAIN	1
20	52T-1-118	AIR DISTRIBUTION CHAIN GUIDE	1
21	152QMI-A-1-108	DOUBLE-END BOLT M8×209	2
22	152QMI-A-1-201	DOUBLE-END BOLT M8×201	2
23	52T-1-113	RIGHT CASE GASKET	1

24	52T-1-112	PIN 8X14	2	
25	GB/T 16674 M6×22	BOLT M6X22	2	
26	52T-1-119	CHAIN TENSIONING COMP.	1	
27	52T-1-120	SPACER	1	
28	52T-1-11911	SCREW	1	
29	52T-1-11912	O-RING 9.5X1.5	1	
30	GB/T 16674 M6×50	BOLT M6X50	2	
31	157QMJ-B2-1-110	TRANSMISSION AIR TUBE	1	
32	157QMJ-B2-1-109	CLAP 11.5	1	

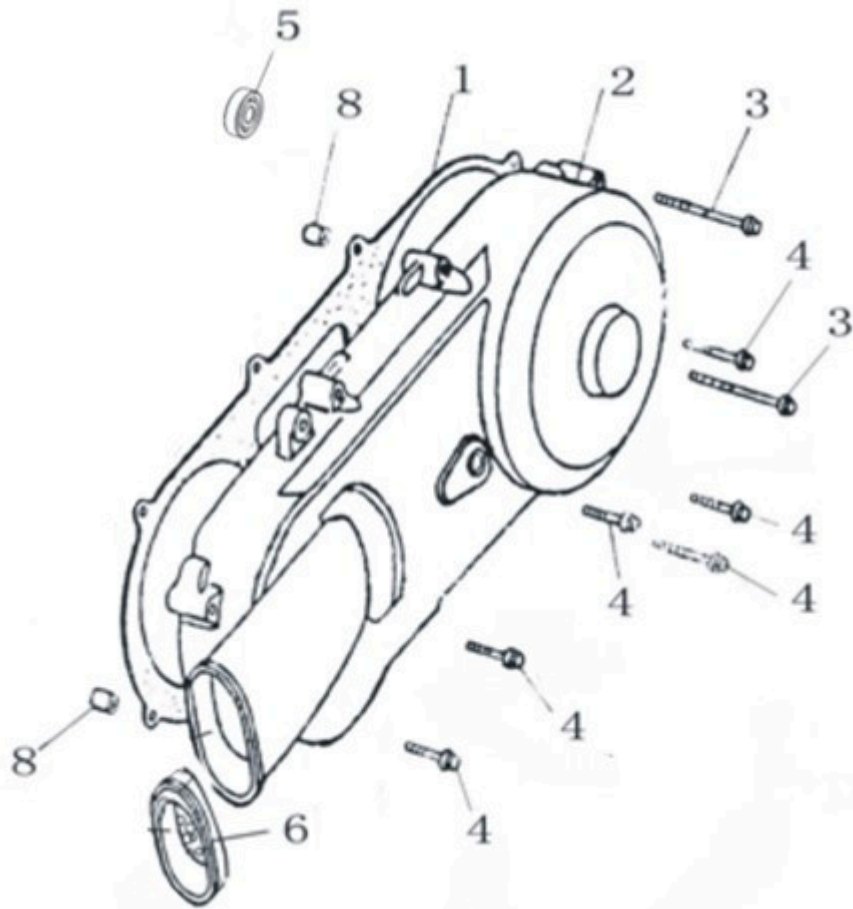
En-Fig 2: GEAR BOX ASSY.



NO.	CODE	DESCRIPTION	QTY.
1	157QMJ-B2-5-301	GEAR BOX COVER	1
2	157QMJ-B2-5-305	GEAR BOX COVER GASKET	1
3	52T-2-211	PIN	2
4	GB/T 276 6302	BEARING 6302	1
5	157QMJ-B2-5-303	REVERSE SHAFT	1
6	157QMJ-B2-5-308	OUTPUT SHAFT OIL SEAL	1
7	JB/T 3588 RNA4905	NEEDLE BEARING RNA4905	1
8	157QMJ-B2-5-304	OUTPUT SHAFT	1
9	GB/T 894.1	SNAP RING 20	1
10	GB/T 276 6204	BEARING 6204	2
11	157QMJ-B2-5-313	INPUT SHAFT	1
12	157QMJ-B2-5-311	SHIFTING DRUM	1
13	157QMJ-B2-5-325	SHIFTING DRUM SEAL	1
14	157QMJ-B2-5-309	FORK	1
15	157QMJ-B2-5-310	FORK SHAFT	1
16	157QMJ-B2-5-322	BOLT	1
17	157QMJ-B2-5-323	WASHER 14X22X1	1
18	157QMJ-B2-5-324	SPRING	1
19	GB/T 308 13/32	BALL 13/32	1
20	157QMJ-B2-5-317	SHIFTING SHAFT SEAL	1
21	157QMJ-B2-5-312	SHIFTING SHAFT	1
22	157QMJ-B2-5-318	O-RING 10X2.5	1

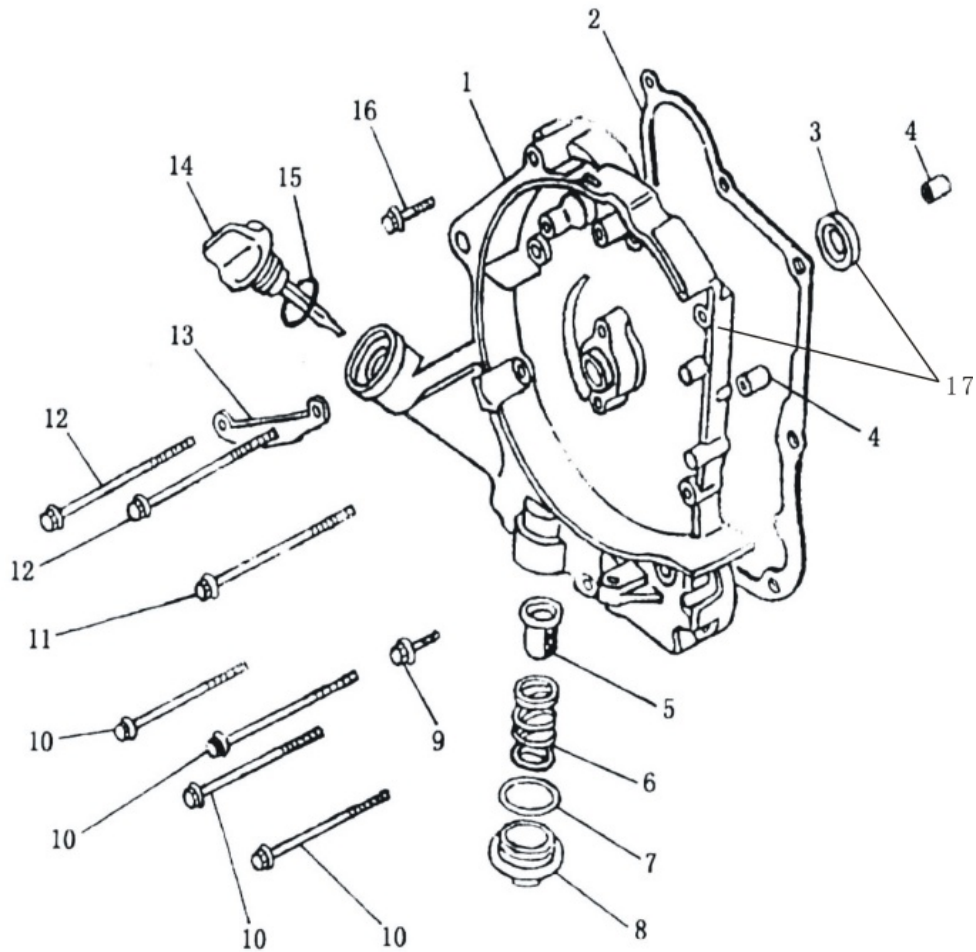
23	157QMJ-B2-5-302	TRANSITION SHAFT	1	
24	157QMJ-B2-5-319	WASHER 15×19×1	1	
25	GB/T 16674 M6×40	BOLT M6×40	10	
34	GB/T 893.1 52	SNAP RING 52	1	
35	GB/T 894.1 25	SNAP RING 25	1	
36	157QMJ-B2-5-307	WASHER 25X33X1	1	
37	GB/T 276 6205	BEARING 6205	1	
38	152QMI-52T-1-122	DRAIN PLUG M12×1.5×14	1	
39	52T-1-107	WASHER 12X18X1	1	

En-Fig 3: SIDE COVER COMP.



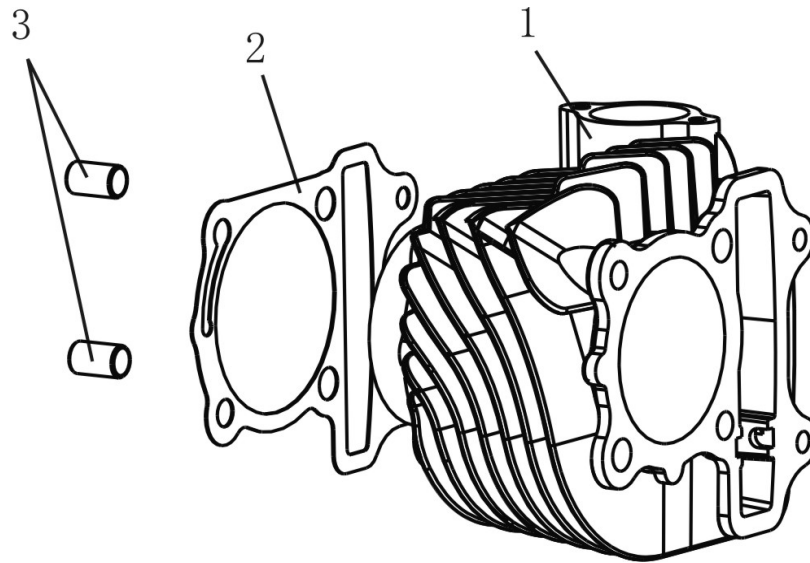
NO.	CODE	DESCRIPTION	QTY.	
1	52T-1-506	LEFT CRANKCASE COVER GASKET	1	
2	157QMJ-B2 -1-501	LEFT CRANKCASE COVER	1	
3	GB/T 16674 M6×65	BOLT M6×65	2	
4	GB/T 16674 M6×40	BOLT M6×40	6	
5	GB/T 276 6200-2RS	BEARING 6200	1	
6	52T-1-508A	AIR INTAKE COVER	1	
8	52T-1-112 ø8×14	PIN ø8×14	2	

En-Fig 4: RIGHT COVER COMP.



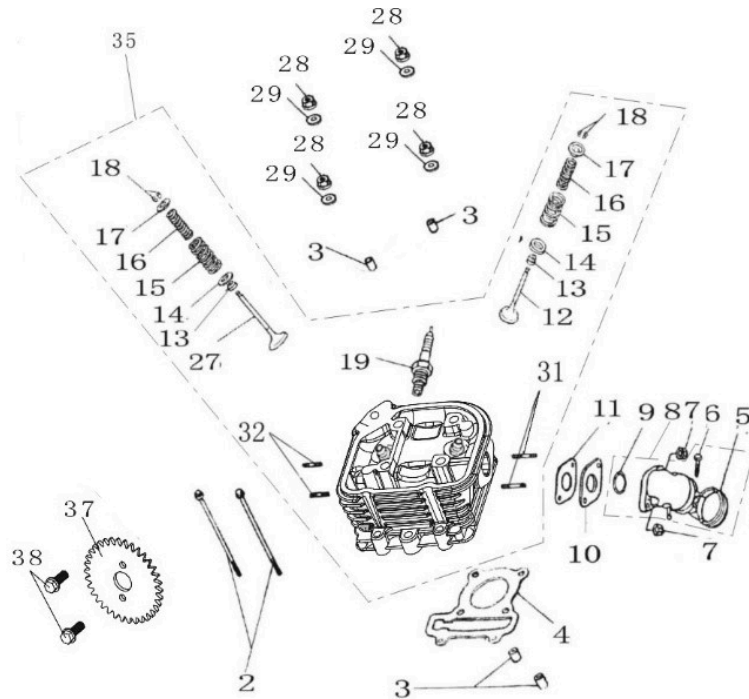
NO	CODE	DESCRIPTION	QTY
1	52T-1-401	RIGHT CASE COVER	1
2	52T-1-407	RIGHT CASE COVER GASKET	1
3	52T-1-111	CRANKSHAFT OIL SEAL 19.8×30×5	1
4	52T-1-112 φ8×14	PIN φ8×14	2
5	52T-1-403	OIL SCREEN	1
6	52T-1-404	OIL SCREEN SPRING	1
7	52T-1-405	O-RING 30.5X3	1
8	52T-1-402	OIL SCREEN SCREW PLUG	1
9	GB/T 16674 M6×32	BOLT M6×32	1
10	GB/T 16674 M6×95	BOLT M6×95	4
11	GB/T 16674 M6×100	BOLT M6×100	1
12	GB/T 16674 M6×110	BOLT M6×110	2
13	52T-1-409	MAGNETO WIRE CLIP	1
14	52T-1-406	OIL GAUGE	1
15	52T-1-408	O-RING 18X3	1
16	GB/T 16674 M6×35	BOLT M6×35	1

En-Fig 5: CYLINDER ASSY.



NO	CODE	DESCRIPTION	QTY.	
1	161QMK-A-2-501	CYLINDER	1	
2	161QMK-A-2-504	CYLINDER GASKET	1	
3	52T-2-211	PIN 10X16	2	

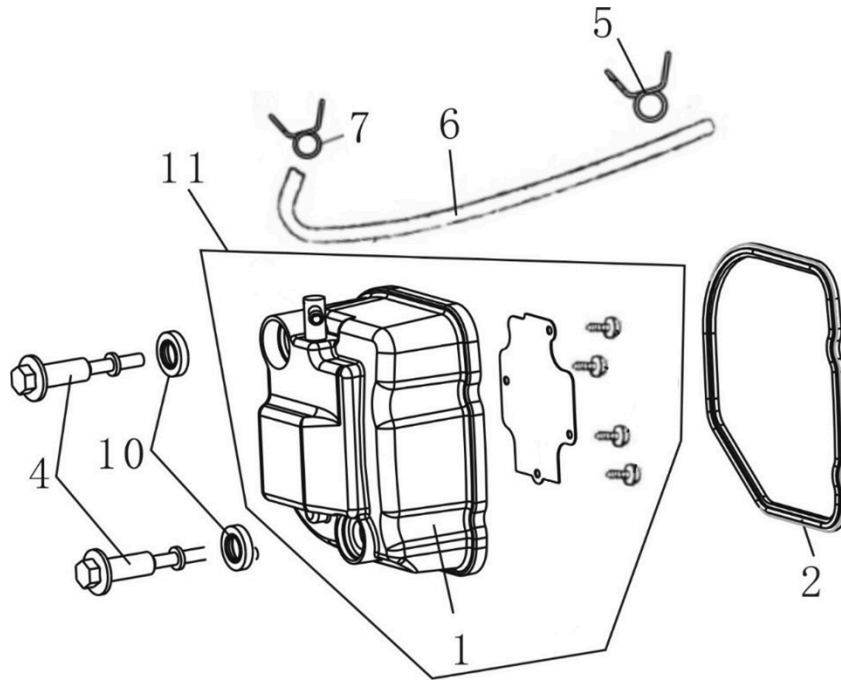
En-Fig 6: CYLINDER HEAD COMP.



NO	CODE	DESCRIPTION	QTY.
2	GB/T 16674 M6×100	BOLT M6×100	2
3	52T-2-211	PIN φ10×16	4
4	161QMK-A-2-210	CYLINDER HEAD GASKET	1
5	52T-2-215	INTAKE TUBE CLAMP	1
6	GB/T 818 M4×25	SCREW M4×25	1
7	GB/T 6177.1 M6	BOLT M6	2
8	52T-2-214	INTAKE TUBE ASSY.	1
9	GB/T 3452.1	O-RING 26.5×1.8	1
10	52T-2-213	CYLINDER HEAD RUBBER GASKET	1
11	52T-2-212	INSULATOR SPACER	1
12	152QMI-A-2-205	INTAKE VALVE	1
13	52T-2-203	VALVE OIL SEAL	2
14	52T-2-209	WASHER	2
15	152QMI-A-2-208	VALVE SPRING -INSIDE	2
16	152QMI-A-2-207	VALVE SPRING -OUTSIDE	2
17	52T-2-204	VALVE SPRING SEAT	2
18	52T-2-206	VALVE LOCKING CLAMP	4
19	52T-2-217	SPARK PLUG	1
20	52T-2-305	STOPPING PLATE	1

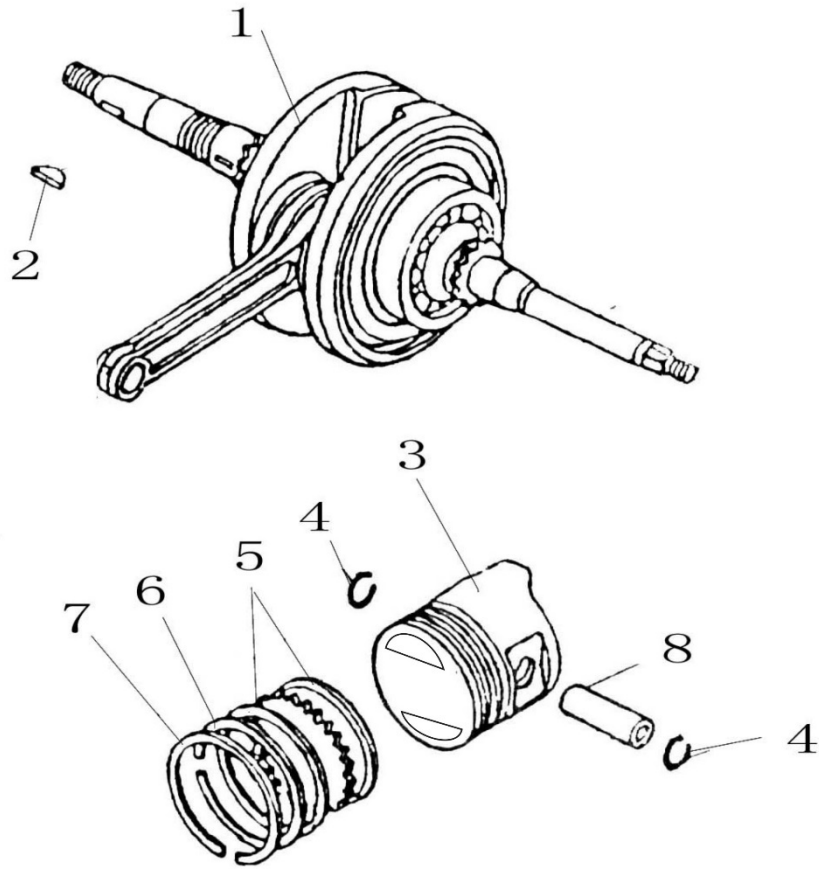
21	52T-2-3042	VALVE ADJUSTING NUT	2	
22	52T-2-3043	VALVE ADJUSTING SCREW	2	
23	152QMI-A-2-3041	VALVE ROCKET	2	
24	152QMI-A2-303	INTAKE VALVE ROCKET SHAFT	1	
25	152QMI-A-2-40	CAMSHAFT COMP.	1	
26	152QMI-A-2-302	EXHAUST VALVE ROCKET SHAFT	1	
27	152QMI-A-2-202	EXHAUST VALVE	1	
28	GB/T 6177.1 M8	BUT M8	4	
29	52T-1-121	WASHER 8	4	
30	152QMI-A-2-301	CAMSHAFT FIXING BRACKET	1	
31	52T-2-2017	DOUBLE-END BOLT M6X63	2	
32	161QMK-2-2013	DOUBLE-END BOLT M8X32	2	
33	152QMI-A-2-304	VALVE ROCKET COMP.	2	
35		CYLINDER HEAD ASSY.		
36	GB/T 893.1 35	SNAP RING 35	1	
37	152MI-A.02-17	TIMING SPROCKET	1	
38	GB/T 5783 M5×12	BOLT M5X12	2	

En-Fig 7: CYLINDER HEAD COMP.



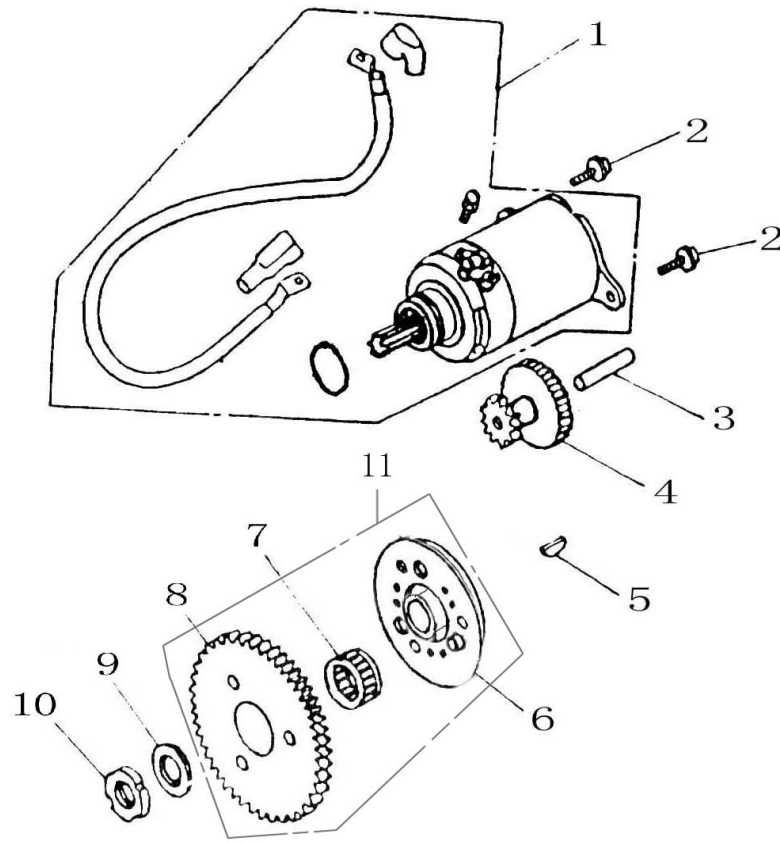
NO.	CODE	DESCRIPTION	QTY.	
1	152MI-A-2-101	CYLINDER HEAD COVER	1	
2	152MI-A-2-104	CYLINDER HEAD COVER GASKET	1	
4	152QMI-A -2-107	CYLINDER HEAD COVER BOLT	2	
5	52T-2-106	TUBE CLIP 1	1	
6	52T-2-105	INTAKE TUBE	1	
7	52T-2-103	TUBE CLIP 2	1	
10	152MI-A.01.01	CUSHION RING	2	
11	152MI-A-2-101-A	CYLINDER HEAD COVER ASSY.	1	

En-Fig 8: CRANK SHAFT / PISTON COMP.



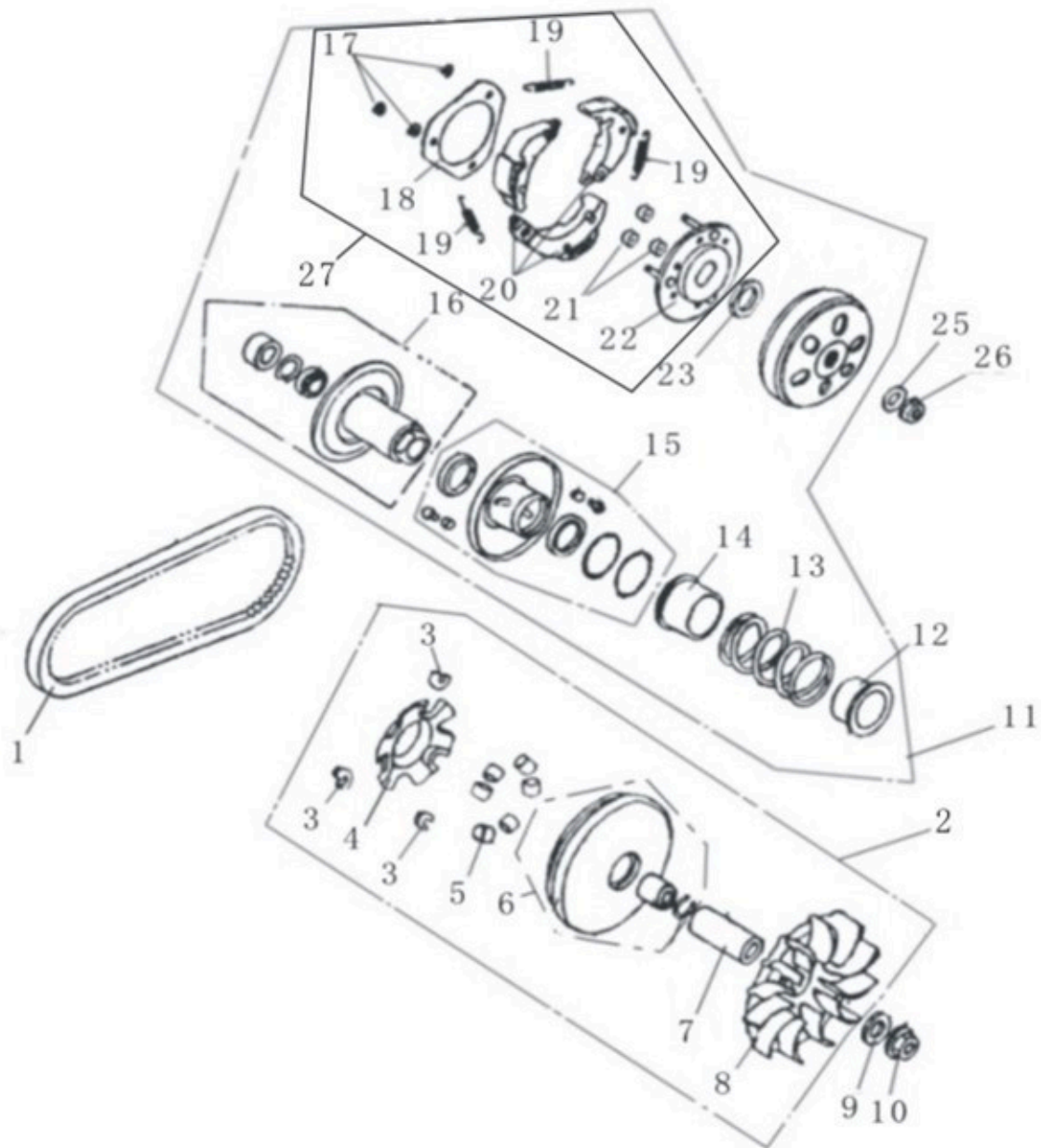
NO.	CODE	DESCRIPTION	QTY.	
1	157QMJ-B2-3-10	CRANK SHAFT	1	
2	52T-3-116	HALF-ROUND KEY	1	
3	161QMK-3-110	PISTON	1	
4	52T-3-115	PISTON PIN SNAP RING	2	
5	161QMK-3-113	PISTON RING 3	1	
6	161QMK-3-112	PISTON RING 2	1	
7	161QMK-3-111	PISTON RING 1	1	
8	161QMK-3-114	PISTON PIN	1	

En-Fig 9: ELECTRIC START SYSTEM



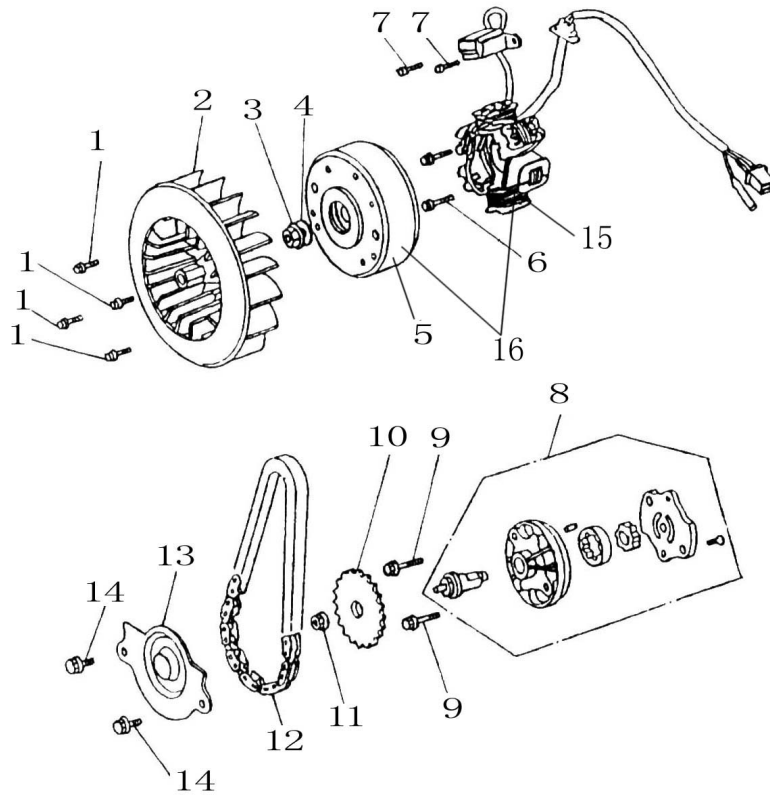
NO.	CODE	DESCRIPTION	QTY.
1	52T-4-101	STARTING MOTOR	1
2	GB/T 16674 M6×16	BOLT M6×16	2
3	52T-4-102	ELECTRIC STARTING GEAR SHAFT	1
4	52T-4-103	STARTING GEAR	1
5	52T-3-116	HALF-ROUND KEY	1
6	57-03-201A	OVER RUN CLUCH	1
7	52T-3-204	NEEDLE BEARING	1
8	57-03-202	OVER RUN GEAR	1
9	52T-3-210	WASHER	1
10	52T-3-209	LOCKING NUT SM22X1 LEFT	1
11	57-03-20A	OVER RUN CLUTCH ASSY.	1

En-Fig 10: DRIVING/DRIVEN WHEEL/BELT COMP.



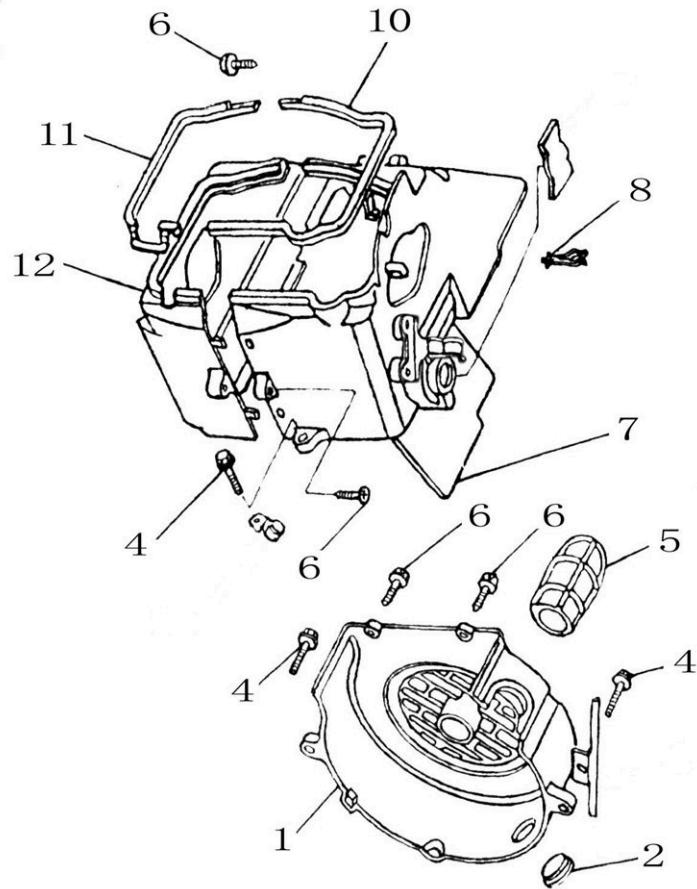
NO.	CODE	DESCRIPTION	QTY.
1	57-5-215	BELT	1
2	52T-5-10	DRIVING WHEEL COMP.	1
5			
8			
9	GB/T 97.1 12.3×29×2.5	WASHER 12.3×29×2.5	2
10	GB/T 6177.2 M12×1.25 H10	BOLT M12×1.25 H=10	1
11	52T-5-20	DRIVEN WHEEL COMP.	1
25			
26	GB/T 6177.2 M12×1.25 H8	BOLT M12×1.25 H=8	1

En-Fig 11: MAGNETOR / OIL PUMP COMP.



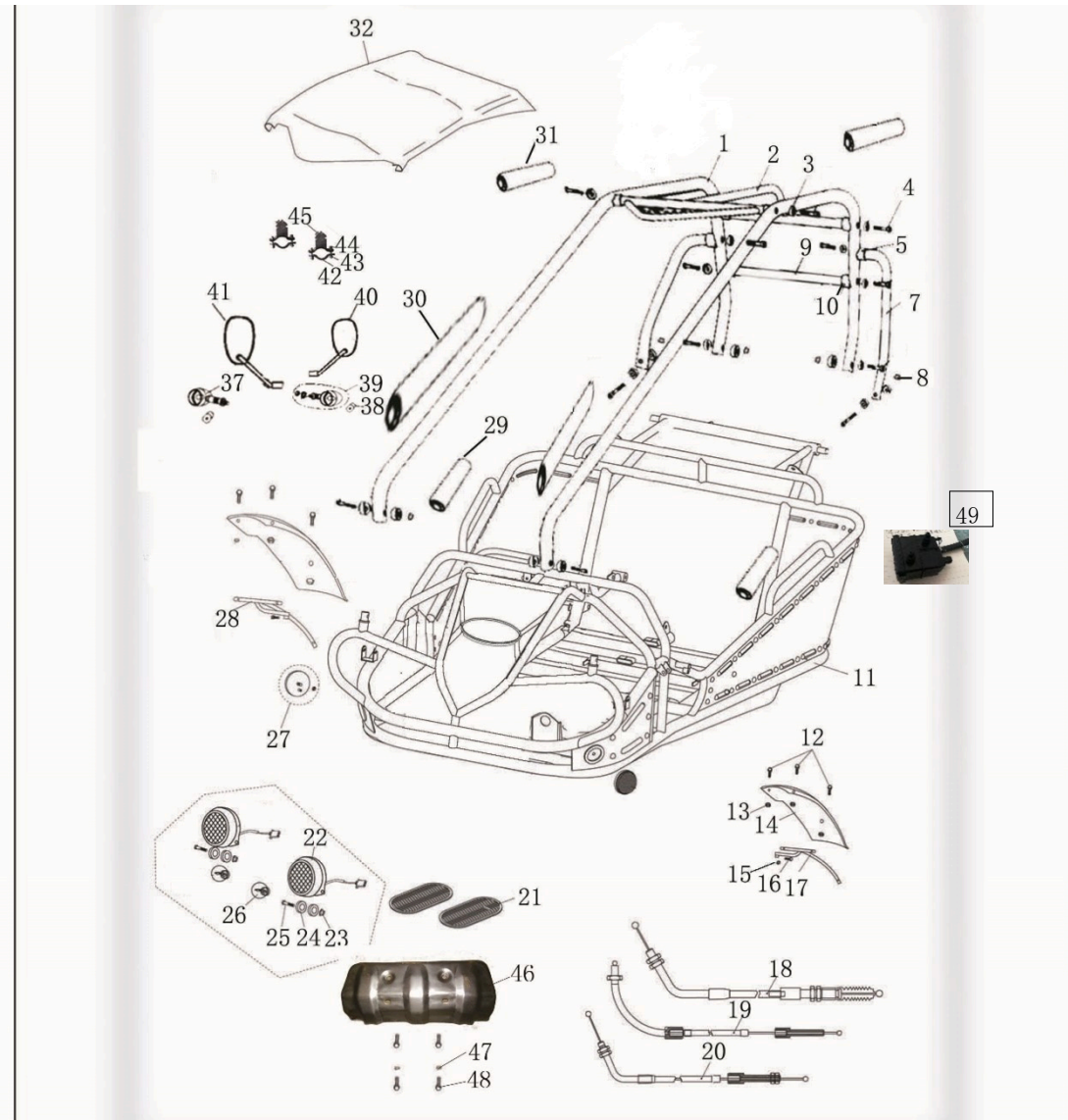
NO.	CODE	DESCRIPTION	QTY.
1	GB/T 16674 M6×18	BOLT M6×18	4
2	52T-10-20	FAN IMPELLER	1
3	GB/T 6177.2 M12×1.25 H10	BOLT M12×1.25 H=10	1
4	GB/T 97.112-14HV	WASHER 12-14HV	1
5	52T-10-102	MAGNETO FLYING WHEEL ASSY.	1
8	52T-1-30	OIL PUMP ASSY	1
9	GB/T 16674 M6×25	BOLT M6×25	2
10	52T-1-306	OIL PUMP SPROCKET	1
11	GB/T 6177.1 M6	NUT M6	1
12	52T-1-307	OIL PUMP CHAIN	1
13	52T-1-308	OIL PUMP COVER	1
14	GB/T 16674 M6×12	BOLT M6×12	2
15	52T-10-101	MAGNETO STATOR ASSY.AC6	1
	52T-10-101A	MAGNETO STATOR ASSY.DC8	1
	52T-10-101B	MAGNETO STATOR ASSY.DC11	1

En-Fig 12: FAN/ WIND GUIDE COVER



NO.	CODE	DESCRIPTION	QTY.	
1	157QMJ-7-103	FAN VOLUTE ASSY.	1	
2	52T-7-1033	FAN COVER CAP	1	
4	GB/T 16674 M6×25	BOLT M6×25	3	
5	52T-7-1032	COOLING PIPE	1	
6	GB/T 9456 ST4.8×16-F-H	SCREW ST4.8×16-F-H	5	
7	152QMI-A-7-1012	WIND GUIDE COVER ASSY. UPPER	1	
8	52T-7-1014	HIGH-VOLTAGE CABLE CLIP	1	
10	52T-7-1011	UPPER SEAL	1	
11	52T-7-1022	LOWER SEAL	1	
12	152QMI-A-7-102	WIND GUIDE COVER ASSY. LOWER	1	

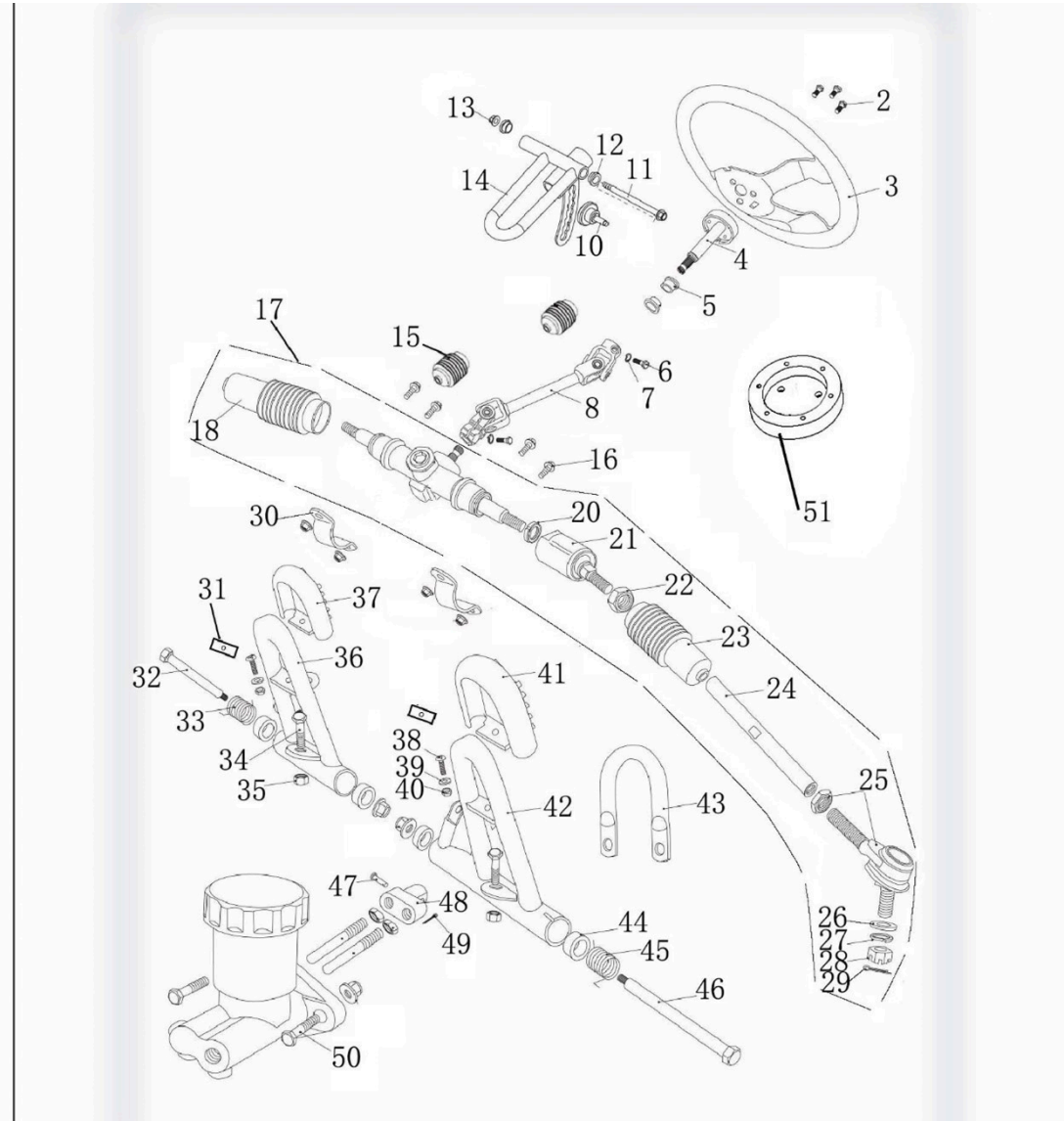
FIG. 17 FRAME GROUP



FRAME GROUP			
REF NO.	PART NO.	DESCRIPTION	QTY
1	8070064150GH02	C.B.C.BAR CAGE(B.R.S.)	2
2	8070063200G000	C.B.C.CROSS BAR,(B.R.S.)	1
3	8010047250G000	R-WASHER	20
4	57870805512505	SOCKET BOLT M8*1.25*55	14
5	7010016250G000	TUBE SEAT φ32	2
7	8070067150GH02	C.B.C.BAR,L./R.SIDE(B.R.S.)	2
8	61870800012505	LOCKING FLANGE NUT M8	6
9	8070065150G000	C.B.C.CROSS BAR,RR(B.R.S.)	1
10	7010017250G000	TUBE SEAT φ25	6

11	8070066150G0B0	FRAME COMP.(B.R.S.) w/ carbon box bracket	1
12	57890601610005	BOLT-WASHER M6*16	6
13	61770600010005	NUT M6	6
14	7010034250G000	FENDER,FR.	2
15	93000600000005	SPRING WASHER φ6	4
16	57890601410005	BOLT-WASHER M6*14	4
17	6100067250G000	FRONT FENDER BRACKET,L.	1
18	6012000300G003	THROTTLE CABLE COMP.	1
18-1		(FOR 200E)	
19	6013000300G000	REVERSE CABLE	2
20	6000050150G000	PARKING BRAKE CABLE COMP.	1
21	7020012250G000	RUBER FOOT FLATE	2
22	6000104150G001	HEADLIGHT UNIT	2
23	61770800012505	LOCKING FLANGE NUT M8	2
25	57890805012505	BOLT M8x40	2
27	6000114250G000	FRONT REFLECTOR	4
28	6100102250G000	FRONT FENDER BRACKET,R.	1
29	6000083250G000	FOAM PADDING-1	2
30	6000116250G000	FOAM PADDING-2	2
31	6000300250G000	FOAM RADDING	2
32	6100061250G000	AWNING	1
33	81800503010005	BOLT M5x30	1
37	6000156250G000	TURN LIGHT FRON RIGTH	1
38	9090006150G000	TRUN LIGHT BULB 10W/12V	1
39	6000155250G000	TURN LIGHT FRONT LEFT	1
40	8005000250G000L	REAR VIEW MIRROR (L)	1
41	8005000250G000R	REAR VIEW MIRROR (r)	1
42	5802200150GH00	TOP LIGHT BRACKET 2	2
43	81800502510005	GB818 BOLT M5X25	4
44	61700500010005	GB6170 M5 NUT	4
45	5710500150GH00	TOP LIGHT BRACKET 1	2
46	8020100250GS00	PROTECTION PLATE (FOR XRX ONLY)	1
47	57890801212505	GB5789 M8X12 (FOR XRX ONLY)	4
48	97000800000005	WASHER φ8 (FOR XRX ONLY)	2
49	2805012300G000	CARBON BOX	1

FIG. 18 STEERING SHAFT ASSY.



STEERING SHAFT ASSY.			
REF NO.	PART NO.	DESCRIPTION	QTY
18-1	7.010.041	STEERING BOLT COVER	1
2	57810601210005	GB5781 M6X12	
3	7020038300G001	SPORT STEERING WHEEL (XRX)	1
3	7.020.038	STEERING WHEEL	
4	4011000150G000	STEERING SHAFT	1
5	7010026150G000	BUSH STEERING SHAFT	2
6	57830802512505	BOLT M8X25	2
7	93000800000005	LOCK WASHER φ8	2
8	6000093250G000	STEERING KNUCKLE	1
10	4000100150G000	STEERING GEAR ADJUSTING BOLT	1
11	5812000150G000	FLANGE BOLT M8X1.25X105	1

12	7010003250G000	BUSHING	2
13	61870800012505	LOCKING NYLON NUT M8	9
14	4000051150GHB0	TILT STEERING HOUSING	1
15	7020066250G000	STEERING KNUCKLE DUST COVER	2
16	61870802512505	BOLT-WASHER M8X1.25X25	4
17	3000007250G000	STEERING SHAFT ASSY.	1
18	7020002250G000	BALL JIONT DUST COVER	1
19	4000014250G000	STEERING GEAR	1
20	9900016250G000	ROUND NUT M16X1.5	2
21	4000008250G000	STEERING BALL JOINT	2
22	61701000012505	NUT M10	2
23	7020002250G000	DUST COVER	1
24	8010157250G000	TIE ROD	2
25	6000062250G000	ROD END	2
26	97001000000002	FLAT WASHER ϕ 10	2
27	93001000000002	LOCK WSAHER ϕ 10	2
28	94571000012505	CASTLE NUT ϕ 10	2
29	GB912502500002	COTTER PIN ϕ 2X15	2
30	8020014250G000	STEERING GEAR BRACKET	2
31	8020104250G000	PEDAL PAD PLATEN	2
32	9708145250G001	FLANGE BOLT M8x1.25x145	1
33	8040001250G000	THROTTLE PEDAL RETURN SPING,L.	1
34	57870804512505	BOLT-WASHER M8x1.25x45	2
35	61700800012505	NUT M8	2
36	4000016250G000	THROTTLE PEDAL COMP.	1
37	7020036250G000	THROTTLE PEDAL PAD	1
38	81800501610005	PAN SCREW M5x16	2
39	97000500000005	FLAT WASHER ϕ 5	2
40	61700500010005	NYLON LOCK NUT M5	2
41	7020037250G000	BRAKE PEDAL PAD	1
42	4000015150G000	BRAKE PEDAL COMP.	1
43	8070044250G000	MASTER CYLINDER BRACKET	1
44	7010004250G000	PEDAL BUSH	4
45	8040007250G000	BRAKE PEDAL RETURN SPRING ,R.	1
46	9708222250G000	BRAKE PEDAL BOLT M8x1.25x222	1
47	88200602800003	PIN ϕ 6x28	1
48	8030024250G001	SPINDLE BRACKET	1
49	GB912001600002	COTTER PIN ϕ 2x16	1
50	57890803512505	BOLT-WASHER M8x1.25x35	2
51	4011100150G0A0	STEERING WHEEL BRACKET (XR)	1

FIG. 19 SUSPENSION ARM ASSY.



SUSPENSION ARM ASSY.			
REF NO.	PART NO.	DESCRIPTION	QTY
19-1	2.000.028	STRUT AND SPINDLE SUPPORT R.	1
19-2	9.108.105	FLANGE BOLT M8X1.25X105	2
19-3	8.010.015	UPPER SUSPENSION ARM COLLAR	2
19-4	7.010.003	BUSHING	4
19-5	4.000.004	UPPER SUSPENSION ARM	2

19-6	9.220.008	LOCKING FLANGE NUT M8	2
19-7	7.010.140	LOCKING FLANGE NUT M12	4
19-8	7.020.025	BALL HEAD DUST SEAL	4
19-9	8.020.053	BALL HEAD SPACER	4
19-10	2.000.027	STRUT AND SPINDLE SUPPORT L.	1
19-11	9.908.014	BOLT STRAP M8X14	4
19-12	8.010.014	LOWER SUSPENSION ARM COLLAR	4
19-13	9.906.012	BOLT STRAP M6X12	12
19-14	6.000.097-GT	FR. WHEEL ASSY. R. 20x7-8	1
19-15	7.020.016	PAD SET. FR. BRAKE CALIPER	2
19-16	6.000.028	FRONT BRAKE CALIPER L.	1
19-17	8.010.054	FR. DISC. BRAKE	2
19-18	9.040.002	DUST SEAL 47*25-7	2
19-19	9.030.002	BEARING 6204	2
19-20	9.710.031	TIRE BOLT. M10X1.25X31	8
19-21	8.010.085-150XRS	FR. WHEEL HUB.	2
19-22	9.030.010	BEARING 6202-Z	2
19-23	9.220.010	LOCKING FLANGE NUT M10	8
19-24	7.020.033	TIRE FR. 20x7-8	2
19-25	6.000.096	RIM. FR.	2
19-26	9.220.010	LOCKING FLANGE NUT M10	16
19-27	9.800.012	CASTLE NUT M12	2
19-28	9.500.220	COTTER PIN 2X20	2
19-29	7.020.039	HUB COVER	2
19-30	9.110.040	FLANGE BOLT M10X1.25X40	4
19-31	6.000.095	FRONT BRAKE CALIPER R.	1
19-32	6.000.325	CUSHION ASSY. FR. L=325	2
19-33	9.110.080	FLANGE M10*1.25*80	4
19-34	8.020.034	LOWER SUSPENSION ARM DUST CAP	8
19-35	7.010.002	LOWER SUSPENSION ARM BUSHING	8
19-36	9.040.001	O-RING 21.2*2.65	8
19-37	4.000.023	LOWER SUSPENSION ARM ASSY.	2
19-38	6.000.003-GT	FR. WHEEL ASSY. 20x7-8	1
19-39	8.010.140	ACORN NUT M12	2

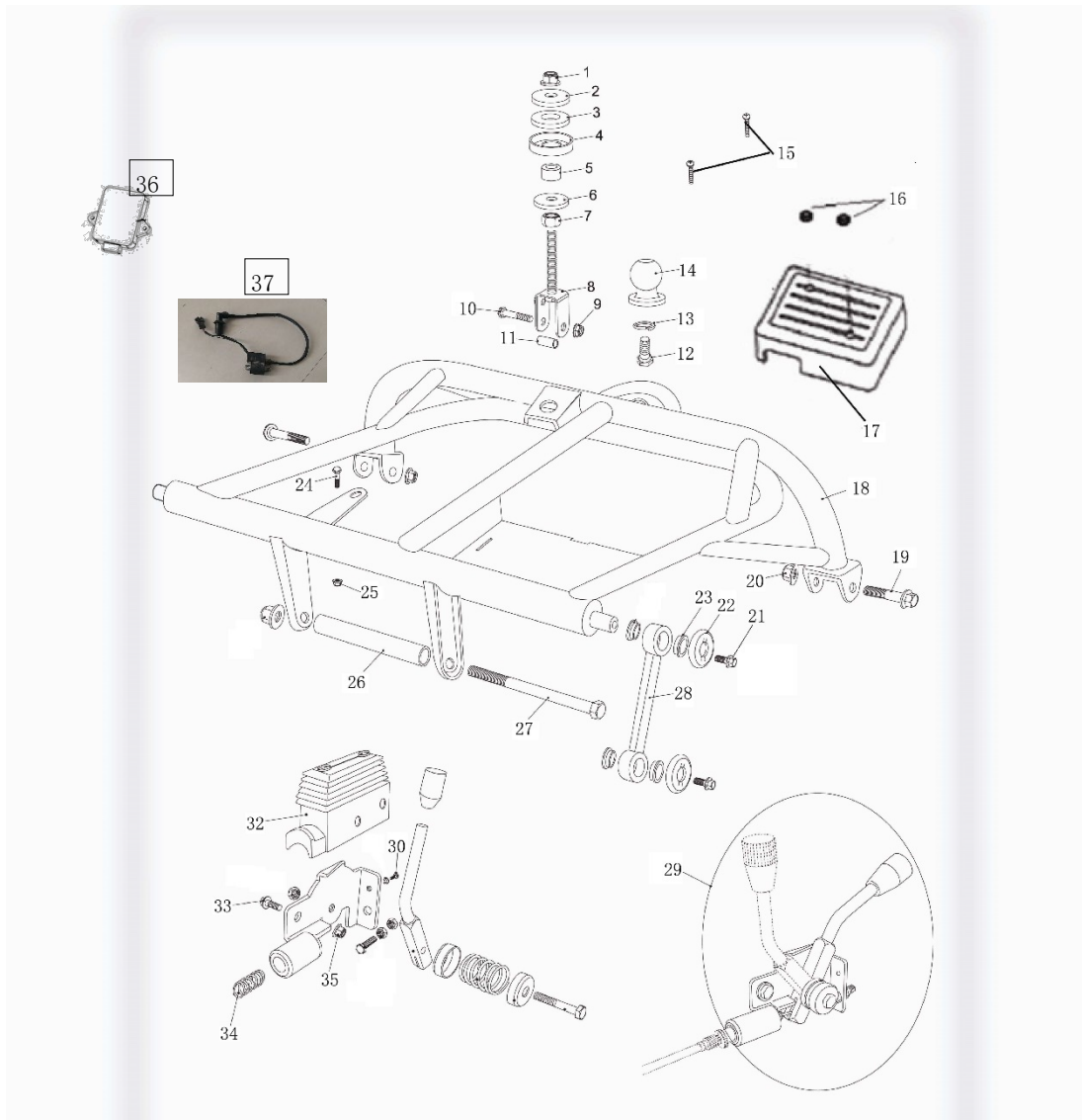
FIG. 20 REAR CARGO RACK / SEAT / BELT



REAR CARGO RACK / SEAT / BELT			
REF NO.	PART NO.	DESCRIPTION	QTY
1	2.000.061	REAR CAGE RACK(B.G.R.)	1
2	7.010.017	TUBE SEAT φ25	2
3	8.080.051	RACK SUPPORT ARM (B.G.R.)	1
4	9.108.020	FLANGE BOLT M8X1.25X20	4
5	9.220.008	LOCKING FLANGE NUT M8	4
6	6.000.145	FUEL TANK CAP COMP.	1
7	4.000.029	FUEL TANK COMP.	1
8	9.108.025	FLANGE BOLT M8X1.25X25	4

9	8.010.034	TANK COLLAR	4
10	7.020.005	RUBBER MOUNT	4
11	9.300.008	FLAT WASHER 8	4
12	9.210.008	LOCKING FLANGE NUT M8	6
13	6.000.046	AUTO FUEL COCK ASSY.	1
14	7.020.021	FUEL TUBE COMP. #1	1
15	7.020.031	VACUUM TUBE COMP	1
16	7.020.022-FTC	FUEL TUBE COMP. #2	1
17	6.000.056	FILTER	1
18	6.000.354	SAFETY BELT COMP.	1
20	6000378150G000	SEAT COMP R	1
21	6000377150G000	SEAT COMP L	1
22	9.700.001	SPECIAL BOLT M7/16X28	1
23	9.700.002	BELT WASHER 12	9
24	9.700.003	BELT NUT M7X16	9
25	6.000.379	SEAT RAIL SET	1
26	9.090.002	TAIL LIGHT BULB	1
27	6.000.387	TAIL LIGHT	1
28	9.900.840	BOLT M8X1.25X40	4
29	9.220.008	LOCKING FLANGE NUT M8	4
30	6.000.155-RR	TURN LIGHT.R.RR	1
30	6.000.156-RR	TURN LIGHT.L.RR	1
33	27280121001000	Overflow Vent (EFI)	1
34	1110171200G000	Fuel pump (EFI)	1

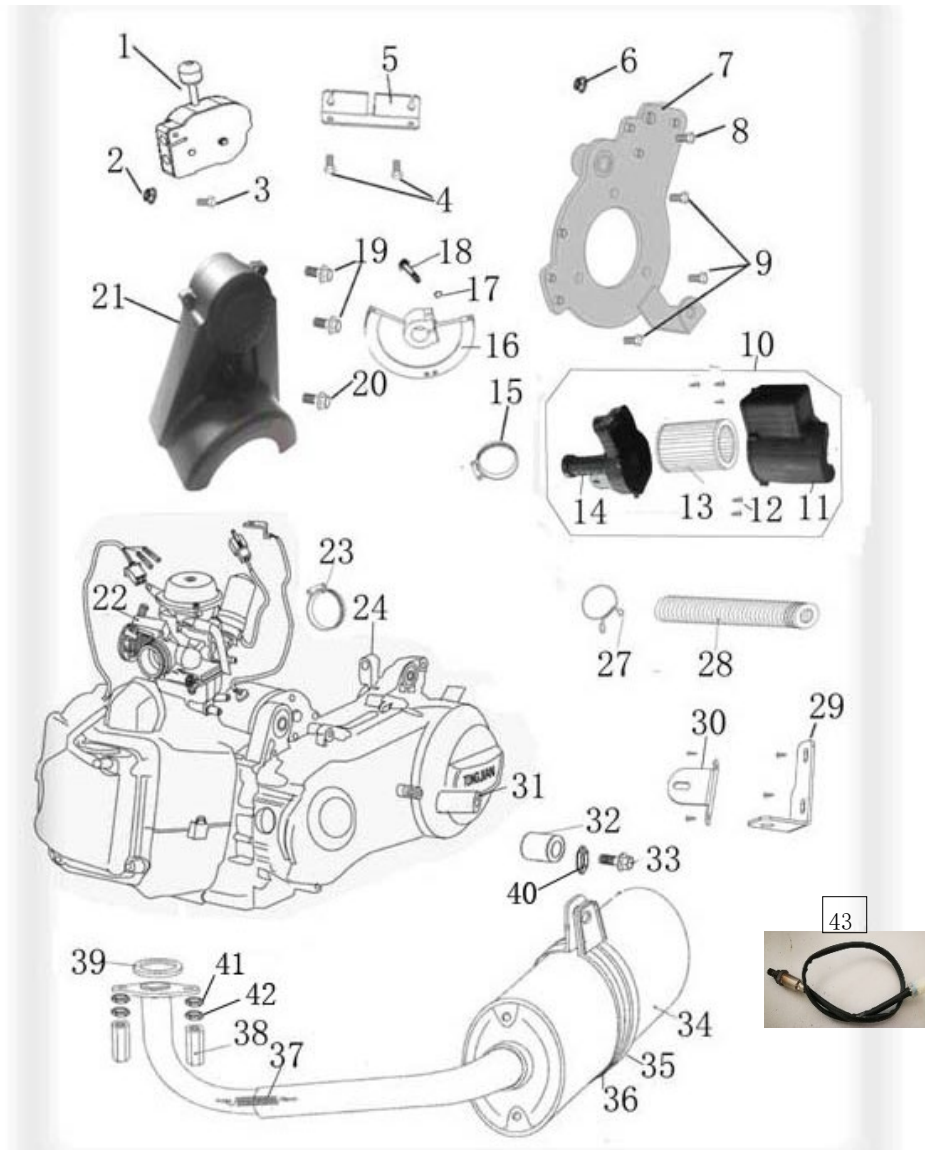
FIG. 21 REAR SWING ARM ASSY. UPPER



REAR SWING ARM ASSY. UPPER			
REF NO.	PART NO.	DESCRIPTION	QTY
1	9.220.012	LOCKING FLANGE NUT M12	1
2	8.010.042	ENGINE MOUNT LINK WASHER	1
3	7.020.001	ENGINE MOUNT LINK CUSHION	1
4	8.020.045	ENGINE MOUNT LINK SPACER	1
5	8.010.041	ENGINE MOUNT LINK COLLAR	1
6	9.300.012	FLAT WASHER 12	1
7	9.200.012	NUT M12	1
8	6.000.026	ENGINE MOUNT BOLT PLATE	1
9	9.220.010	LOCKING FLANGE NUT M10	1
10	57851004512505	BOLT M10X1.25X45	1

11	8010076150G100	BUSHING 2(10*14*20.5)	1
12	9.116.025	BOLT M16X2X25	1
13	9.400.016	LOCKING WASHER 16	1
14	8.010.084	TOW BALL	1
15	9.600.660	PAN SCREW M6X60	2
16	7010006250G000	Plug	
17	7.010.029	ELECTRIC ASSY. COVER	1
18	2000029150GH00	REAR SWING ARM ASSY. UPPER	1
19	57871206012505	FLANGE BOLT M12X1.25X60	2
20	9.220.012	LOCKING FLANGE NUT M12	2
21	9.108.016	BOLT M8X16	4
22	8.020.013	CON'ROD SPACER	4
23	7.010.008	CON'ROD BUSH	8
24	9.106.022	BOLT M6X16	2
25	9.210.01	LOCKING FLANGE NUT. M6	2
26	8.010.025	ENGINE MOUNT COLLAR	1
27	9.710.195	BOLT M10X1.25X195	1
28	8.030.001	SWING ARM DOG BONE	2
29	6.000.042	PARKING BRAKE LEVER ASSY.	1
30	9.600.512	PAN SCREW M5X12	1
32	7.020.024	REVERSE LEVER COVER	1
33	9.108.020	FLANGE BOLT M8X1.25X21	2
34	8.040.004	CABLE SPRING	1
35	9.220.008	LOCKING FLANGE NUT M8	2
36	6100167200G000	REGULATE RECTIFIER COMP.	1
37	1110182300G000	IGNITION COIL (EFI)	1

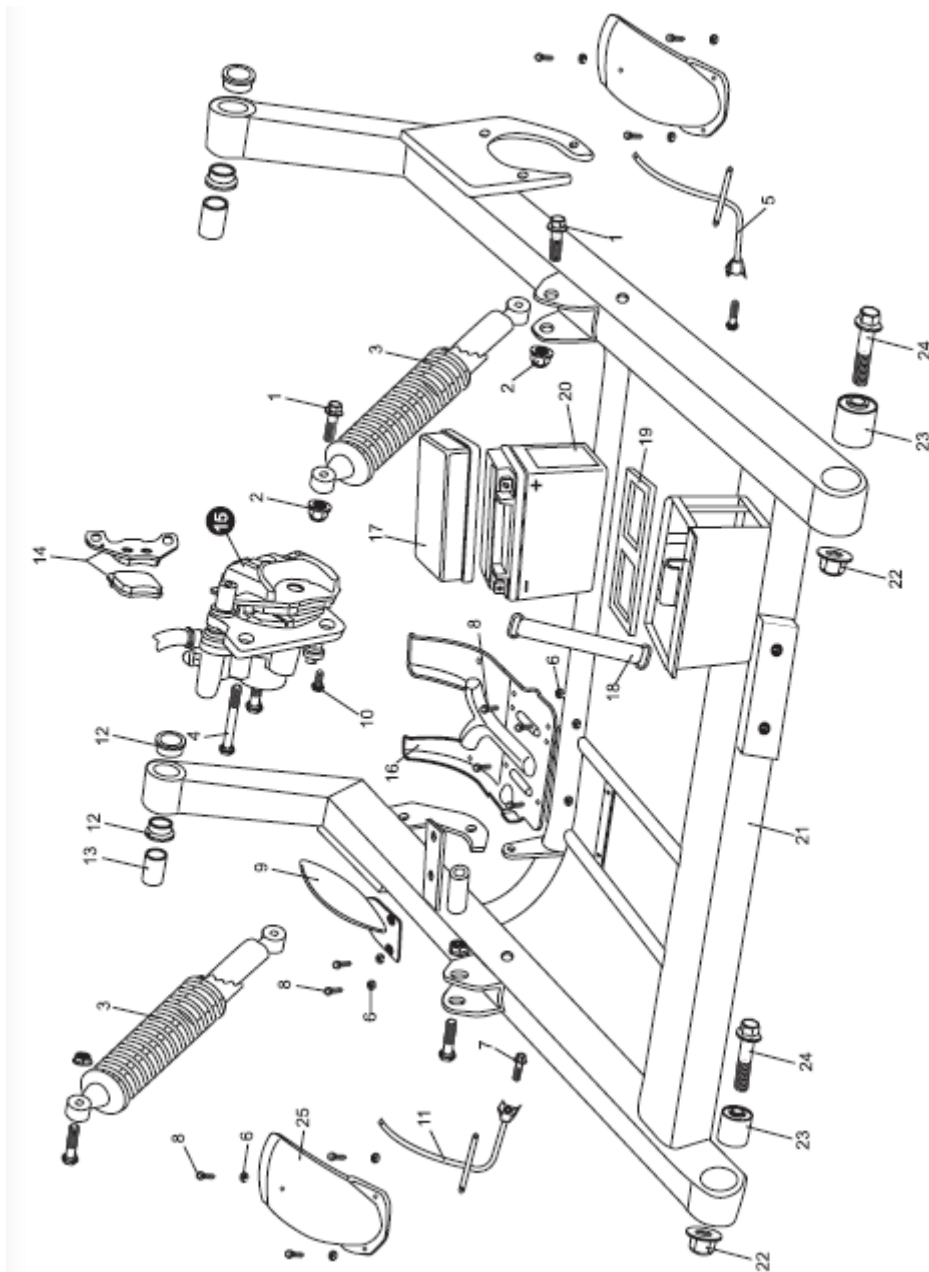
FIG. 22 ENGINE / MUFFLER / AIR CLEANER



ENGINE / MUFFLER / AIR CLEANER			
REF NO.	PART NO.	DESCRIPTION	QTY
1	4070000300G000	REVERSE GEAR SHIFTER ASSY.	1
2	61870800012505	Locking nut M8	1
3	57870802012505	Bolt M8X20	1
4	57890601210005	Bolt M6X12	1
5	4000100300G200	Shift disc bracket	1
6	6177080012505	Nut M8	3
7	1010000300G000	Engine mount plate	3
8	57890801612505	Bolt M8X16	1

9	57810801612505	Bolt M8X16	1
10	4000018150G000	Air filter assy.	1
12	84505001600002	Screw ST5X20	9
15	8020056150G000	Air filter clamp	
16	4000200300G200	Shift disc	1
17	93000600000005	Spring washer 6	1
18	57830602510005	Bolt M6x25	4
19	57890602510005	Bolt M6x25	1
20	57890802512505	Bolt M8x25	1
21	7. 010. 033-150XRX	Chain Protector RR	1
22	PD24J	carburetor	1
23	152. 08. 210	INTAKE TUBE CLAMP COMP.	1
24	1000040200G000	Engine 200E (EFI)	1
24	1000040200G001	Engine 200	1
27	7020054150G000	AIR CLEANER CLIP	1
28	7010057150G000	AIR CLEANER DUCT	1
29	4900300150G000	AIR CLEANER MOUNT PLATE, RR	1
30	4900200150G000	AIR CLEANER MOUNT PLATE, FR	1
31	8030037150G000	MUFFLER RACK SUPPORT	1
32	5813000150G000	bushing	1
33	57870805012505	Bolt M8X50	1
34	4710012200G000	Muffler (EFI)	1
34	6. 000. 229-MCE	MUFFLER COMP. EX	1
35	8020166250G000	Muffler clamp	1
36	7020054250G000	Muffler rubber brace	1
37	58235400N000	Muffler spring	2
38	61870800012505	Locking nut M8	2
39	9040005150G000	EX. PIPE GASKET.	1
40	96001000000005	96 平垫 Φ10	1
41	97000800000005	平垫 Φ8	2
42	93000800000005	弹垫 Φ8	2
43	1110180300G000	O2 Sensor (EFI)	1

FIG. 23 REAR SWING ARM



REAR SWING ARM			
REF NO.	PART NO.	DESCRIPTION	QTY
23-1	9.110.040	FLANGE BOLT M10X1.25X40	4
23-2	9.220.010	LOCKING FLANGE NUT M10	4
23-3	6.000.006	CUSHION ASSY. RR	2
23-4	9.908.100	BOLT STRAP M8X1.25X100	1
23-5	6.000.101-SS	BRACKET. REAR FENDER. L	1
23-6	9.210.006	NYLON LOCKING NUT M6	12
23-7	9.108.045	FLANGE BOLT M8X1.25X45	2
23-8	9.906.016	FLANGE BOLT M6X16	12

23-9	7.010.031	DISC. RR COVER.	1
23-10	9.908.012	BOLT STRAP M8X1.25X12	1
23-11	6.000.068-GT	REAR FENDER BRACKET. R	1
23-12	7.010.006	SWING ARM BUSH.	4
23-13	8.010.028	SWING ARM COLLAR.	2
23-14	7.020.022-RBPS	RR. BRAKE PAD SET.	1
23-15	6.000.229-CAR	CALIPER ASSY. RR	1
23-16	7.010.032-150XRS	CHAIN. DISC GUARD.	1
23-17	7.010.028	BATTERY COVER.	1
23-18	7.020.023	BATTERY BAND	1
23-19	7.020.020	BATTERY LOWER CUSHION	1
23-20	6.000.382	BATTERY (YTX12-BS)	1
23-21	2.000.042	RR, LOWER SWING ARM COMP.	1
23-22	9.220.012	LOCKING FLANGE NUT M12	2
23-23	7.020.008	SWING ARM CUSHION BUSHING	2
23-24	9.112.060	FLANGE BOLT M12X1.25X60	2
23-25	7.010.064	REAR FENDER. L/R	2
26	8002200150G002	Speed sensor (XRX)	1
27	8020078250G000M	Sensor Bracket (XRX)	1

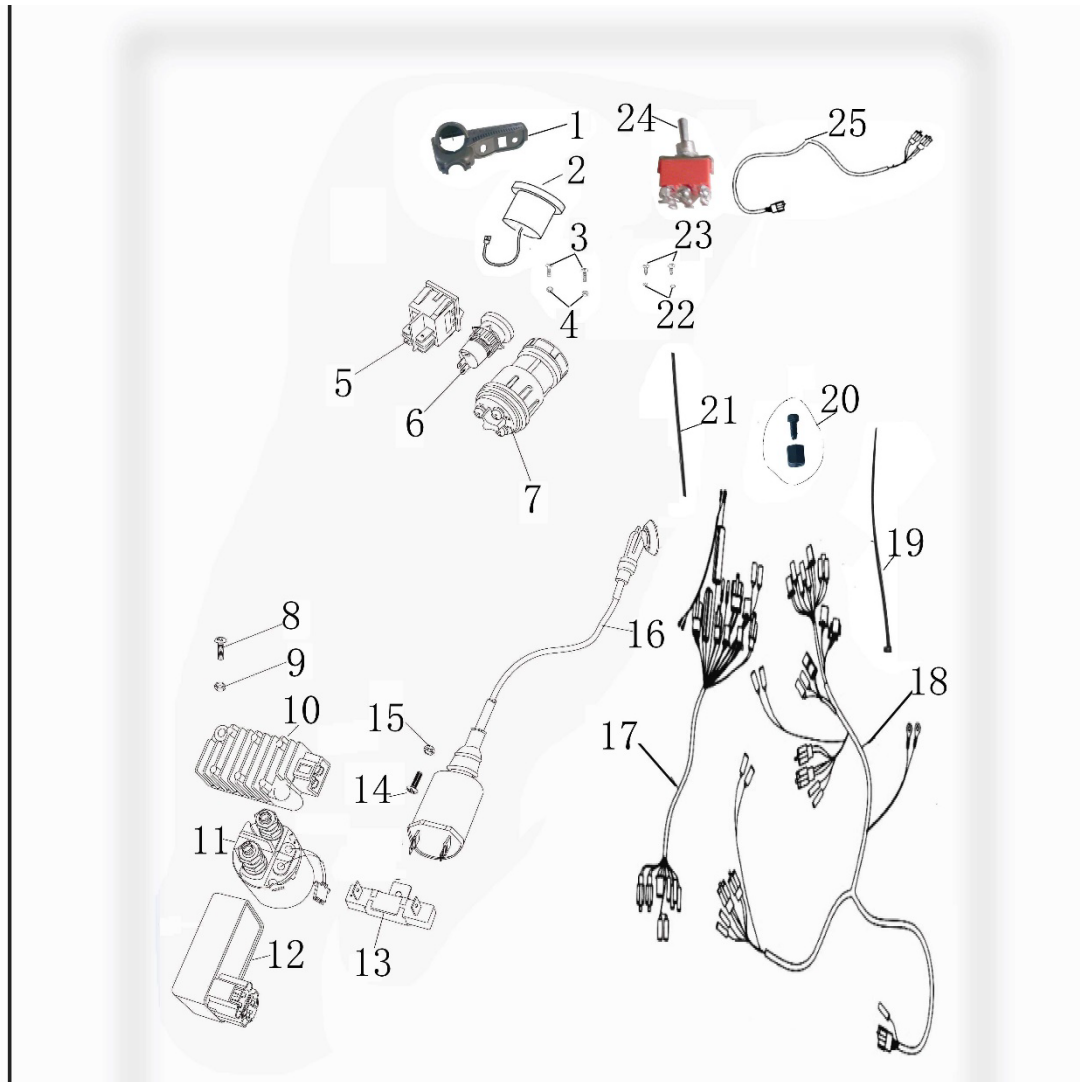
FIG. 24 REAR HOUSING



REAR HOUSING			
REF NO.	PART NO.	DESCRIPTION	QTY
24-1	9.108.022	BOLT-WASHER M8X1.25X22	4
24-2	8.010.053	RR. BRAKE DISC	1
24-3	9.220.008	LOCKING FLANGE NUT M8	14
24-4	8.010.057	REAR AXLE	1
24-5	9.070.002	DRIVE CHAIN	1
24-6	8.010.077	REAR SPROCKET	1
24-7	9.108.027	BOLT-WASHER M8X1.25X27	4
24-8	9.040.006	DUST SEAL 50X34-7	2

24-9	8.030.008	RR. AXLE BRG HOUSING COMP	2
24-10	9.030.006	BEARING 6206	2
24-11	8.020.028	BEARING BASE	2
24-12	9.108.040	BOLT-WASHER M8X1.25X40	6
24-13	9.040.007	DUST SEAL 42X30-7	2
24-14	9.710.031	TIRE BOLT. M10X1.25X31	8
24-15	8.010.056-150XRS	REAR AXLE HUB.	2
24-16	7.020.035-GT	TIRE. RR 22X10-10	2
24-17	6.000.105	RIM. RR	2
24-18	8.010.118	LUG NUT CAP M10	8
24-19	6.000.052-GT	REAR WHEEL ASSY. R	1
24-20	9.700.016	RR. WHEEL SPACER. ϕ 16	2
24-21	9.800.016	CASTLE NUT.M16	2
24-22	9.500.430	COTTER PIN ϕ 4X30	2
24-23	7.020.039	HUB COVER	2
24-24	6.000.383	REAR WHEEL ASSY. L	1
24-25	6.000.149	CHAIN MASTER LINK	1
27	81800300610001	MAGNET SCREW M3X6	1
28	7.190.013	Magnet	1

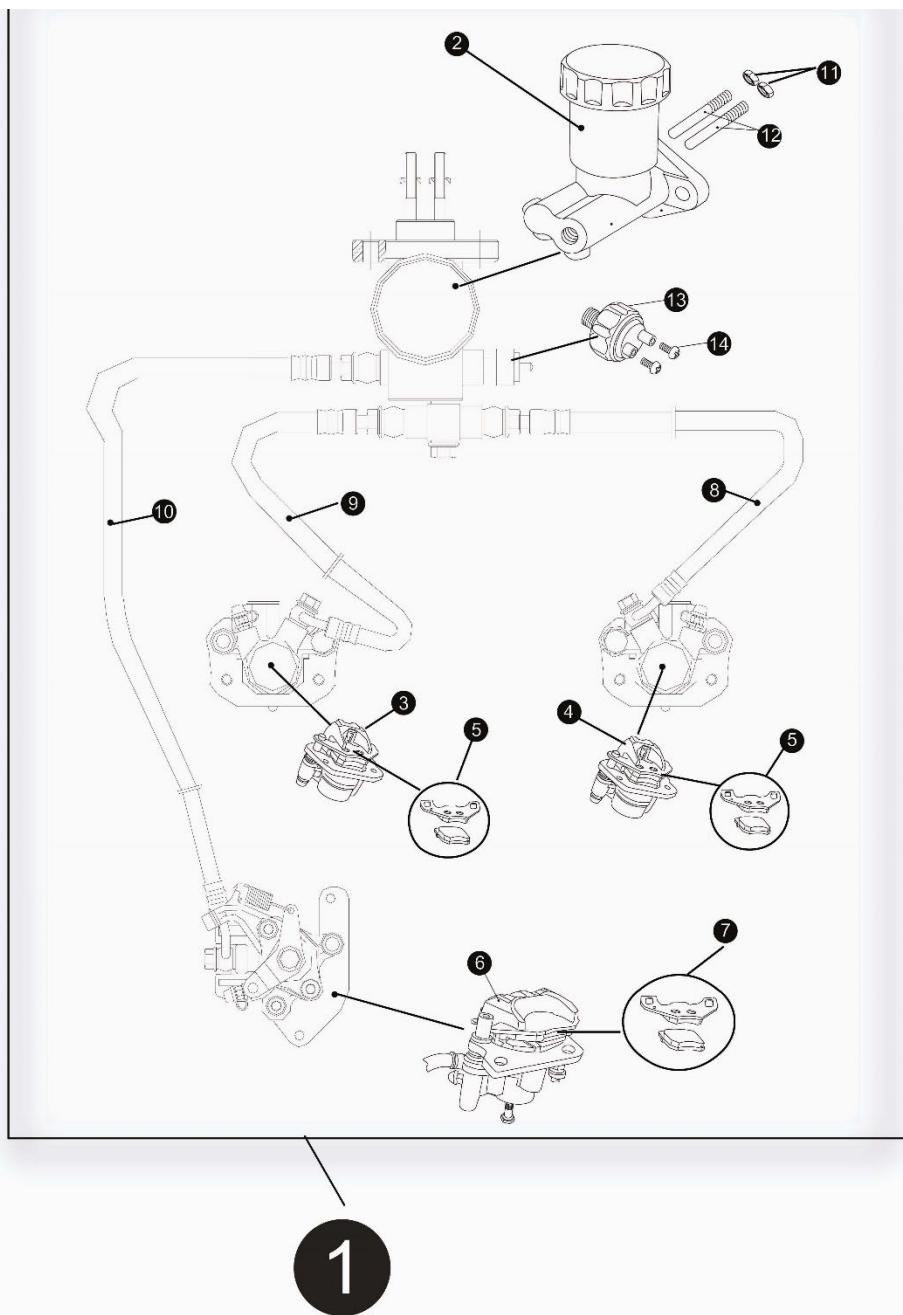
FIG. 25 WIRE HARNESS / ELECTRICAL



WIRE HARNESS / ELECTRICAL			
REF NO.	PART NO.	DESCRIPTION	QTY
25-1	7.010.027	SWITCH PANEL COVER	1
1	7.010.027-XRX	SWITCH PANEL COVER (XRX)	1
2	4000051200G000	SPEEDOMETER WITH HI/LO. EFI	1
2	6.000.383-XRX	Speedometer (XRX)	1
3	81800401610001	Bolt GB818 M4*16	2
4	61870400010002	Nut M4	2
5	6000160250G000	HEADLIGHT SWITCH	1
6	6.000.159	ENGINE STOP BUTTON	1
7	6.000.020-J	IGNITION START SWITCH	1
8	81800603010004	Bolt M6X30	2
9	61870600010005	Locking nut M6	2

10	6.000.124	REGULATE RECTIFIER COMP.	1
11	6.000.035	STARTING RELAY	1
12	6.000.126	C.D.I. UNIT COMP.	1
13	6.000.038	RESISTOR COMP 10M 10Ω	1
14	9.210.005	NYLON LOCKING NUT M5	1
15	9.600.525	ROUND HEAD BOLT M5X25	1
16	6.000.125	IGNITION COIL COMP.	1
17	6.000.380-150XRS	WIRE HARNESS	1
17	6.000.380-150XRX	WIRE HARNESS (XRX)	1
17	6100234200G000	AUXILIARY WIRE HARNESS. EFI (EFI)	1
18	6.000.381-150XRS	200 XRS WIRE HARNESS AUXILIARY	1
18	6.000.381-150XRX	200 XRX WIRE HARNESS AUXILIARY (XRX)	1
18	6100266200G000	Main wire harness. EFI (EFI)	1
19	12111208035	ZIP TIE 4X250	21
20	0001000250G000	Flag mount	1
21	0000100250G000	Flag pole	1
22	81800402010001	Bolt GB818 M4*20	2
23	61870400010002	Locking nut M4	2
24	6.000.384-150XRX	TURN LIGHT SWITCH (XRX)	1
25	6000382150G001	TOP LED LIGHT BAR EXTEND WIRE (XRX)	1

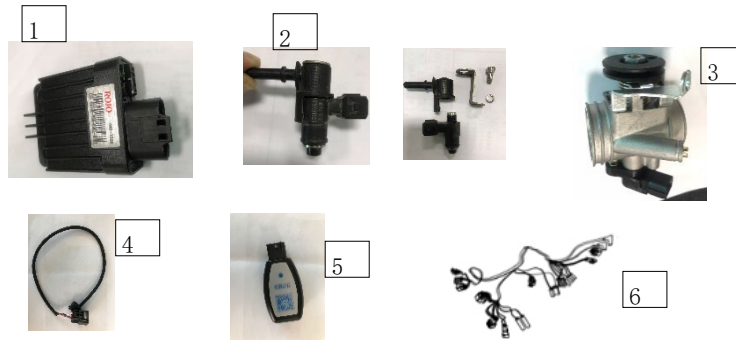
FIG.26 BRAKE SYSTEM



NO.	CODE	DESCRIPTION	QTY.
1	45000-150	BRAKE ASSY	1
2	6000076250G000	MASTER CYLINDER. BRAKE	1
3	6000095250G000	FRONT BRAKE CALIPER. R	1
4	6000028250G000	FRONT BRAKE CALIPER. L	1
5	7020016250G000	BRAKE PAD FRONT	2
6	6000229300G000	BRAKE CALIPER ASSY. RR	1
7	7020022150G000	BRAKE PAD REAR	1
8	6000089250G000	BRAKE HOSE 34 L	1

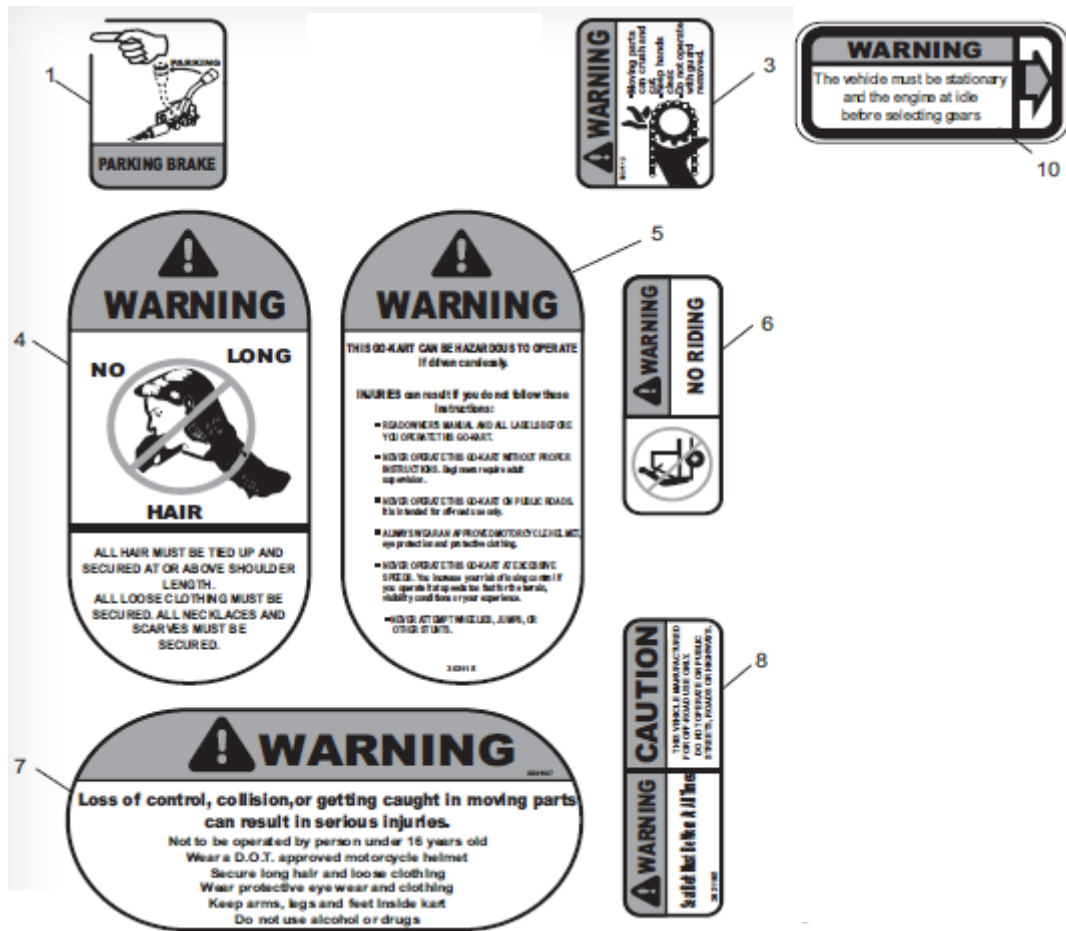
9	6000090250G000	BRAKE HOSE 43 R	1	
10	6000091150G000	BRAKE HOSE 75 RR	1	
11	61700800012505	NUT M8	2	
12	8010081250G000	BRAKE SPINDLE PIN	2	

FIG.27 EFI SYSTEM



NO.	CODE	DESCRIPTION	QTY.
1	1110172200G000	ECU 200 EFI	1
2	1110174200G000	Fuel Injector (EFI)	1
3	1110173200G000	THROTTLE BODY ASSEMBLY (EFI)	1
4	1110177300G000	ECU WIRE	1
5	1110170300G000	BLUETOOTH DEVICE	1
6	1110179200G002	EFI wire harness of 200E	1
7	1110177200G000	INTAKE PIPE WITH O-RING.	1

FIG. 28 WARNING STICKER



WARNING STICKER			
REF NO.	PART NO.	DESCRIPTION	QTY
1	9.090.007	PARKING BRAKE LABEL	1
3	9.090.009	CHAIN GUARD LABEL	1
4	9.090.010	NO LONG HAIR LABEL	1
5	9.090.011	WARNING LABEL	1
6	9.090.012	NO CLIMBING LABEL	1
7	9.090.013	WARNING LABEL	1
8	9.090.014	WARNING LABEL	1
10	9.090.017	WARNING LABEL	1