



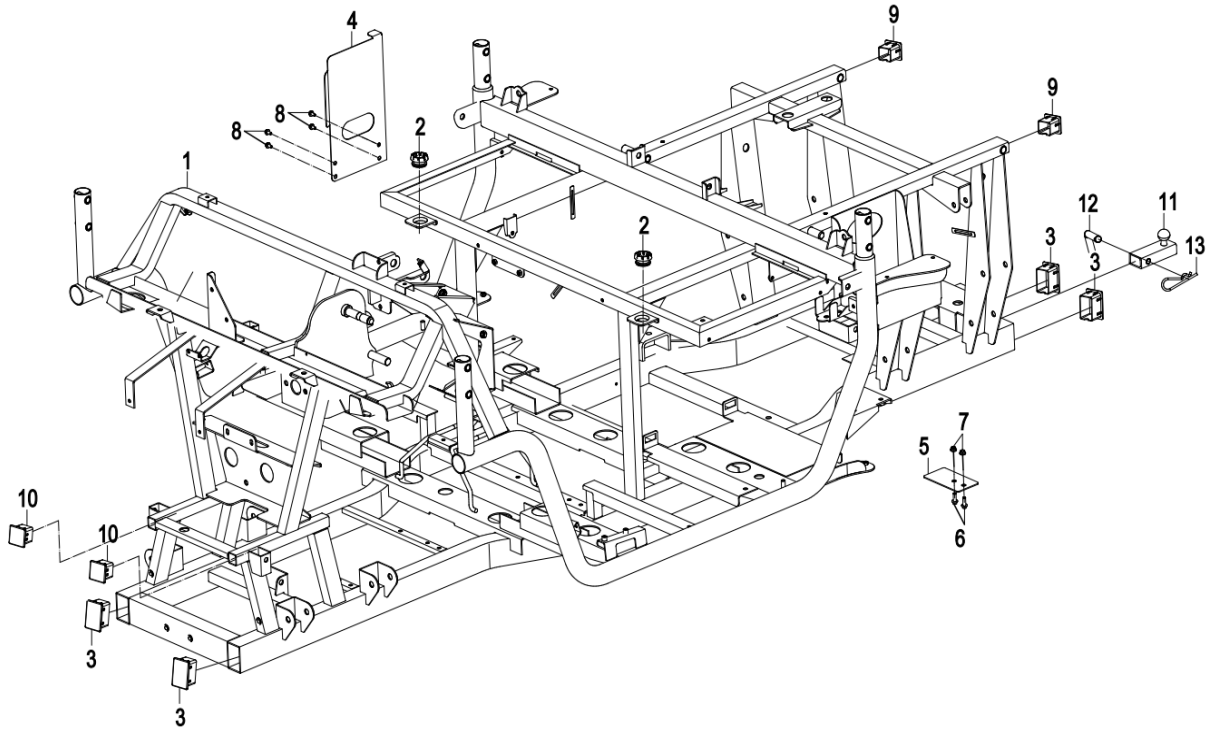
# **TRAILMASTER TAURUS 450U PARTS MANUAL**

**(Engine parts not included)**

**VERSION:1.0**

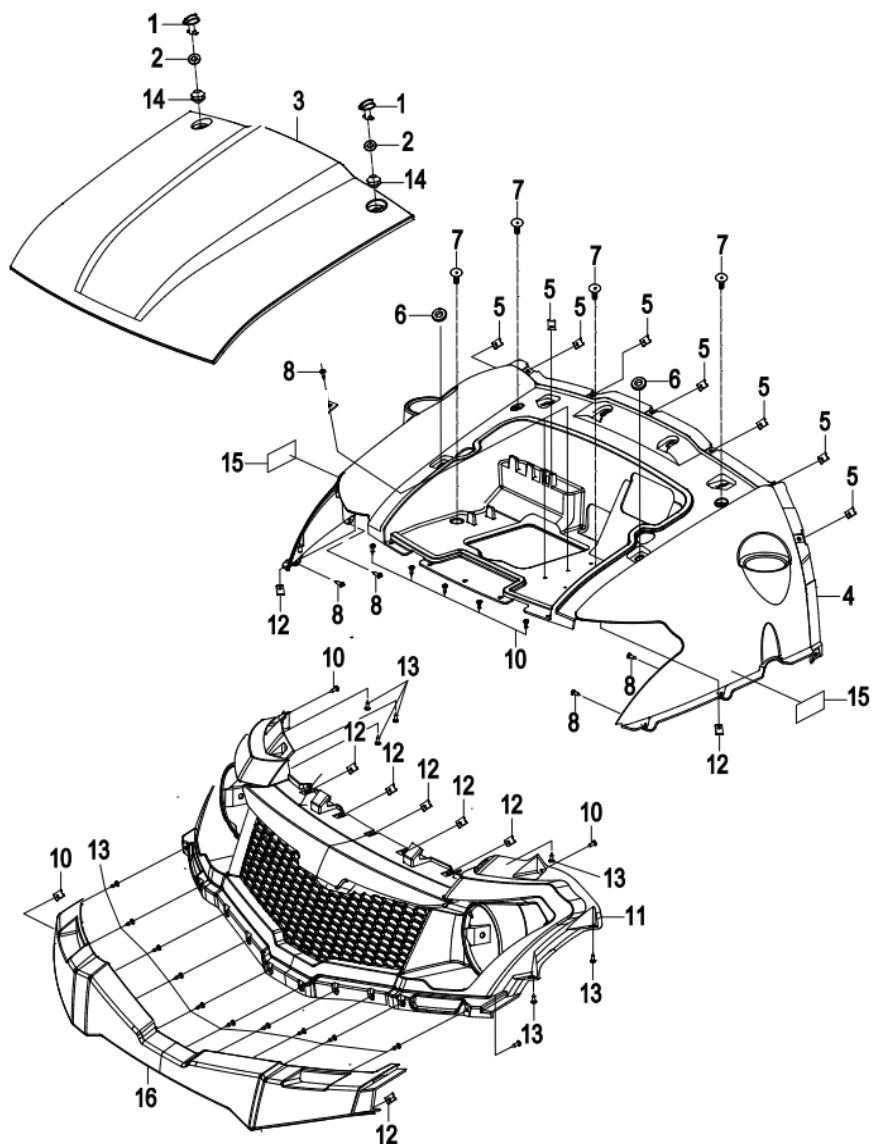
**07/23/2020**

**FRAME GROUP**



REF. No.	PART No.	PART NAME	Q'TY
1	2MU5100010	Frame	1
2	1MU5130200	Rubber Set,Seat	2
3	1MU6033000	Plug	4
4	2MU5117100	Large Storage Insulation Plate	1
5	2MU5631500	Brake Pipe Protection Plate	1
6	9186308040266300	Bolt M8×40 (GB/T 5789)	2
7	9330308013241300	Nut M8 (GB/T 6187.1)	2
8	9186306016166300	Bolt M6×16 (GB/T 5789)	4
9	1MU7087300	Plug 40×20	2
10	1MU7087500	Plug 25×40	2
11	1MU7014000	Trailer Ball ASSY	1
12	1MU7080700	Thumb Lock	1
13	9501304075000000	B Shape Pin	1

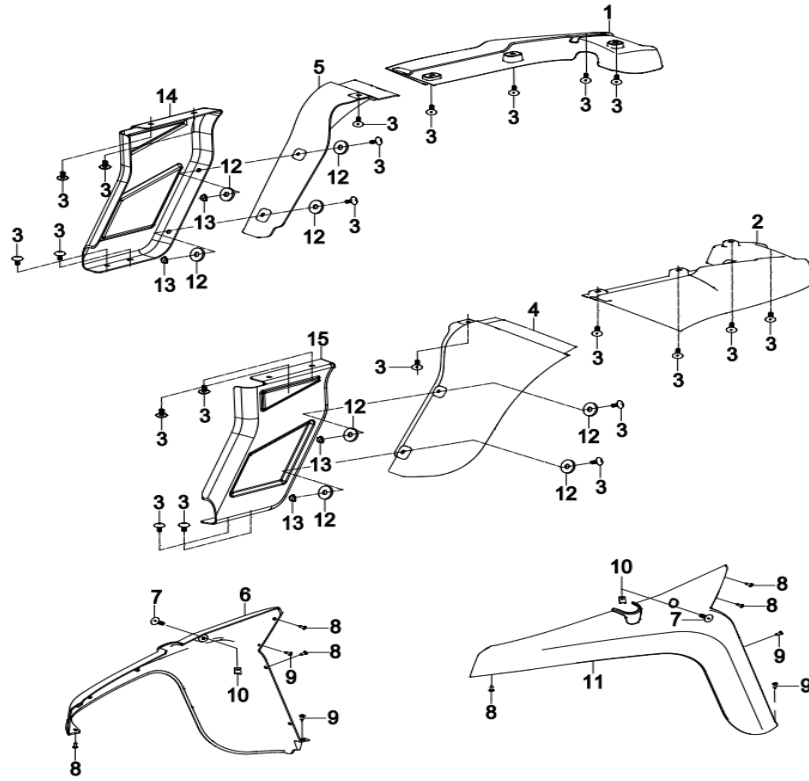
### FRONT HOOD



REF. No.	PART No.	PART NAME	Q'TY
1	1MU6011410	Fixed Hood Latch Hook	1
2	1MU6011500	Ring	2
3	1MU60112041	Removable Hood Cover(Red)	1
	1MU60112072	Removable Hood Cover(Blue)	1
	1MU60112000-G	Removable Hood Cover(green)	1
	1MU60112000-CF	Removable Hood Cover(carbon fiber)	1
	1MU60112081	Removable Hood (Camo)	1
4	1MU60111041	Removable Hood(Red)	1
	1MU60111072	Removable Hood(Blue)	1
	1MU60111000-G	Removable Hood(green)	1
	1MU60111000-CF	Removable Hood(carbon fiber)	1
	1MU60111081	Removable Hood(Camo)	1

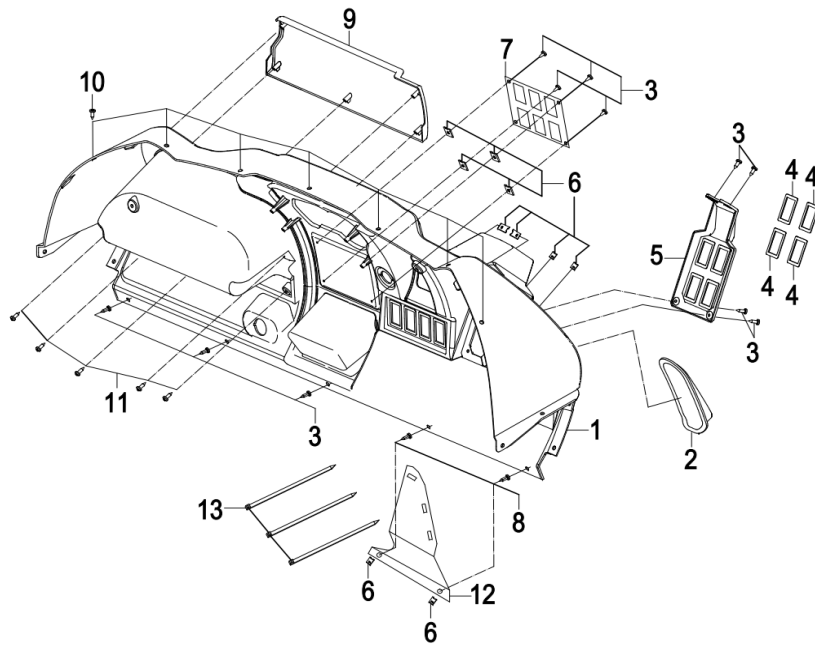
5	9312306000105300	Spring Nut M6 (QC/T 608)	9
6	1MU6011300	Fixed Hood Ring	2
7	9275360160111300	Screw M6×16 (GB/T 973)	6
8	9271342160002300	Screw ST4.2×16 (GB/T 845)	4
10	9271348160006300	Screw ST4.8×16 (GB/T 845)	6
11	2MU60131012	Grill, Front (Black)	1
12	9397342000002300	Spring Nut ST4.2 (Q397A)	9
13	9271342130006300	Screw ST4.2×13 (GB/T 845)	16
14	1MU5660400	Shift Rod Rubber Sleeve	2
15	1MU6140800	Reflecting Film(Amber)	2
16	2MU6013210	Grill, Front Connecting Plate (Silvery White)	1

**FENDER**



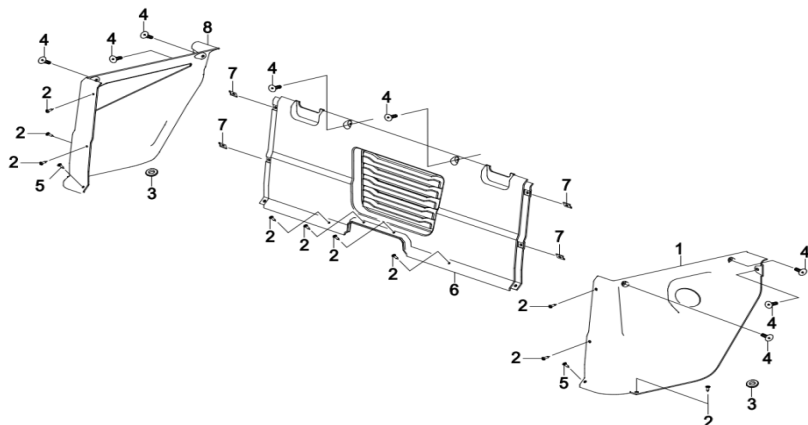
REF. No.	PART No.	PART NAME	Q'TY
1	1MU6031110	RR Upper Rear Mudguards Rear	1
2	1MU6028110	LR Upper Rear Mudguards Rear	1
3	9275360160111300	Screw M6×16 (GB/T 973)	22
4	1MU6027100	LR Upper Rear Mudguards Front	1
5	1MU6029100	RR Upper Rear Mudguards Front	1
6	2MU6018100	Upper Front Mudguards, RH	1
7	9275360250111300	Screw M6×25 (GB/T 973)	2
8	9271348160006300	SCREW ST4.8×16 (GB/T 845)	4
9	9271348190006300	Screw ST4.8×19 (GB/T 845)	4
10	9312306000105300	Spring Nut M6 (QC/T 608)	2
11	2MU6017100	Upper Front Mudguards, LH	1
12	9402308000031300	Washer 8 (GB/T 96.1)	4
13	9330306010141300	NUT M6 (GB/T 6187.1)	4
14	2MU6034110	Fender Connecting Plate,RR	1
15	2MU6033110	Fender Connecting Plate,RL	1

**DASH BOARD**



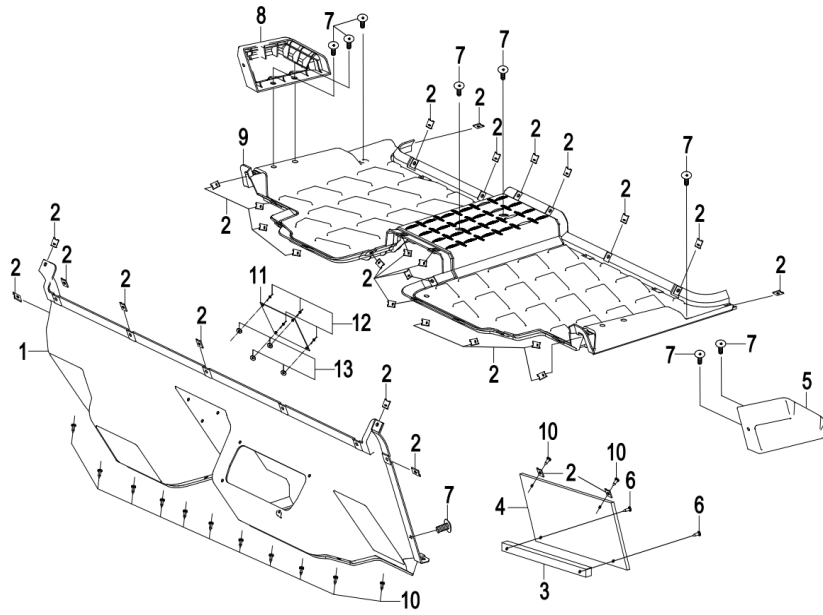
REF. No.	PART No.	PART NAME	Q'TY
1	1MU601411001	Panel, Instrument	1
2	1MU5650100	Cover, Shift Lever	1
3	9271348160006300	Screw ST4.8×16 (GB/T 845)	11
4	1MU6014500	Switch Cover	8
5	1MU601420001	Steering Wheel Under Cover	1
6	9397342000002300	Spring Nut ST4.2 (Q397A)	10
7	1MU6014600	Switch Plate	1
8	9271348190006300	Screw ST4.8×19 (GB/T 845)	2
9	1MU6014400	Cover, Glove box	1
10	9275360160111300	Screw M6×16 (GB/T 973)	7
11	9271342130006300	Screw ST4.2×13 (GB/T 845)	5
12	1MU6032100	The Water Retaining Plate	1
13	9928042000000000	Tie L=4×200	3

### SIDE COVER



REF. No.	PART No.	PART NAME	Q'TY
1	1MU602410001	Left Mudguards	1
2	9271348160006300	Screw ST4.8×16 (GB/T 845)	6
3	1MU6011300	Fixed Hood Ring	2
4	9275360160111300	Screw M6×16 (GB/T 973)	8
5	9271348190006300	Screw ST4.8×19 (GB/T 845)	2
6	1MU602310001	Rear Floor	1
7	939734200002300	Spring Nut ST4.2 (Q397A)	4
8	1MU602510001	Right Mudguards	1

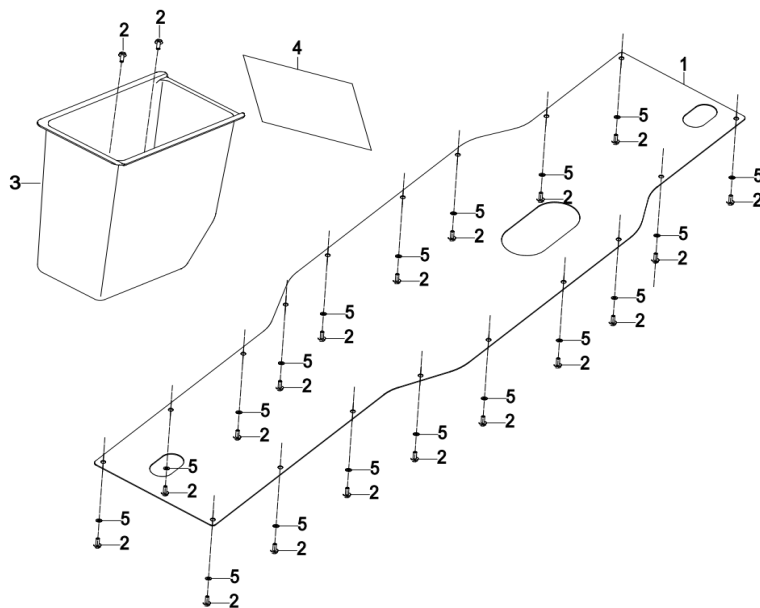
### FOOT BOARD



REF. No.	PART No.	PART NAME	Q'TY
1	1MU6016100	Upper Floor	1
2	9397342000002300	Spring Nut ST4.2 (Q397A)	30
3	1MU6016300	Retaining Rubber Clip	1
4	1MU6016210	Retaining rubber	1
5	1MU6019100	Foot Cover, LF	1
6	9271348190006300	Screw ST4.8×19 (GB/T 845)	2
7	9275360160111300	Screw M6×16 (GB/T 973)	10
8	1MU6021100	Foot Cover, RF	1
9	1MU6015100	Lower Floor	1
10	9271348160006300	Screw ST4.8×16 (GB/T 845)	13
11	1EU6110110	Warning Decal 1 (Aluminum Plate)	1
12	9441004010000000	Rivet 4×10	4
13	9402305000031300	Washer 5(GB/T 96.1)	4

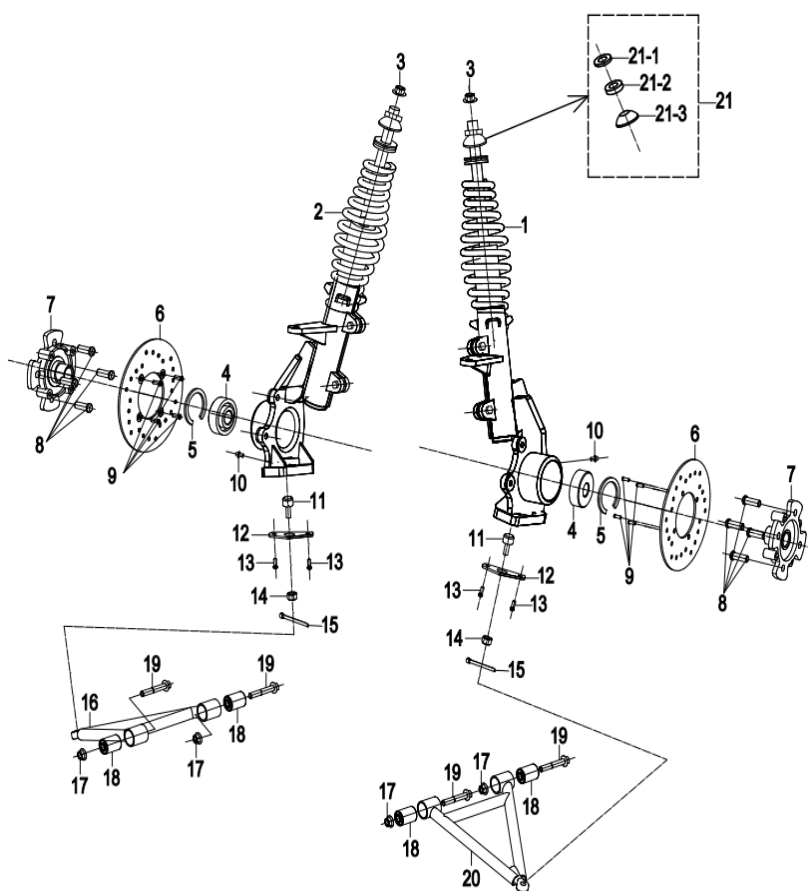


### CHASSIS SHIELD



REF. No.	PART No.	PART NAME	QTY
1	2MU602610001	Chassis Shield	1
2	9275360160111300	Screw M6×16 (GB/T 973)	18
3	1MU6022100	Large Storage	1
4	1MU6180300	Heat Insulation Film	1
5	9402308000031300	Washer 8 (GB/T 96.1)	18

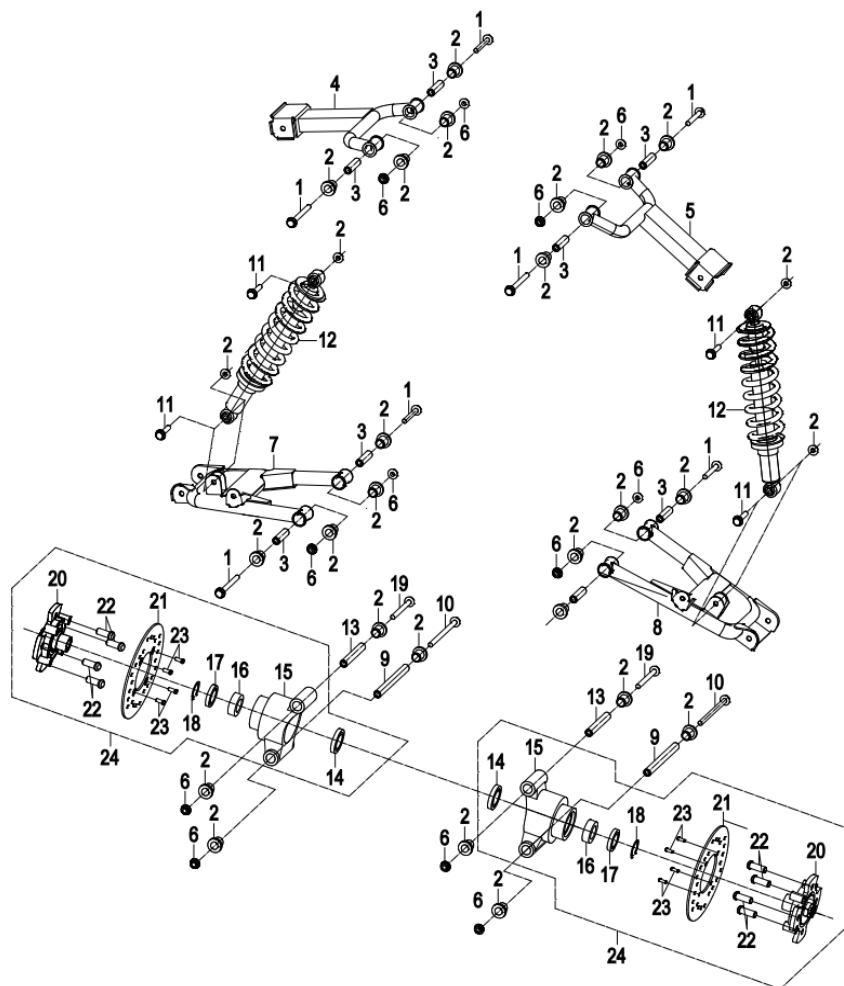
### FRONT SUSPENSION SYSTEM



REF. No.	PART No.	PART NAME	Q'TY
1	1MUX542301	Front Shock Strut Body Assy, L	1
2	1MUX542501	Front Shock Strut Body Assy, R	1
3	9330314021361300	Nut M14×1.5 (GB/T 6187.2)	2
4	1MU5427000	Bearing35	2
5	9430164000000000	Circlip 64(GB/T 893.1)	2
6	1MU5455300	Brake Disc, F	2
7	1MU5455100	Hub, FR Wheel	2
8	1MU5555200	Bolt M12×1.25×36	8
9	9151308020281300	Bolt M8×20 (GB/T 5783)	8
10	1MU5426000	Grease Fitting M6	2
11	1MU5424000	Ball Joint Stud	2
12	1MU5423200	Coupling Mounting Plate	2
13	9254360160101300	Bolt M6×16 (GB/T 819.1)	4
14	9383310016261300	Slotted Nut M10×1.25 (GB/T 9459)	2
15	9500325025002300	Cotter Pin 2.5×25	2
16	1MU5431000	A-Arm ,R	1
17	9330312018261300	Nut M12×1.25 (GB/T 6187.2)	4
18	1MU5412000	Bushing	4

19	1MU5410100	A-Arm Pivot Shaft M12×1.25×75	4
20	1MU5411000	A-Arm, L	1
21	1MUx542020	Upper Pivot Ball ASSY	1
21-1	9401314000031300	WASHER 14 (GB/T 97.1)	2
21-2	1MU5420900	SPACER RUBBER	2
21-3	1MU5420200	UPPER PIVOT BALL	2

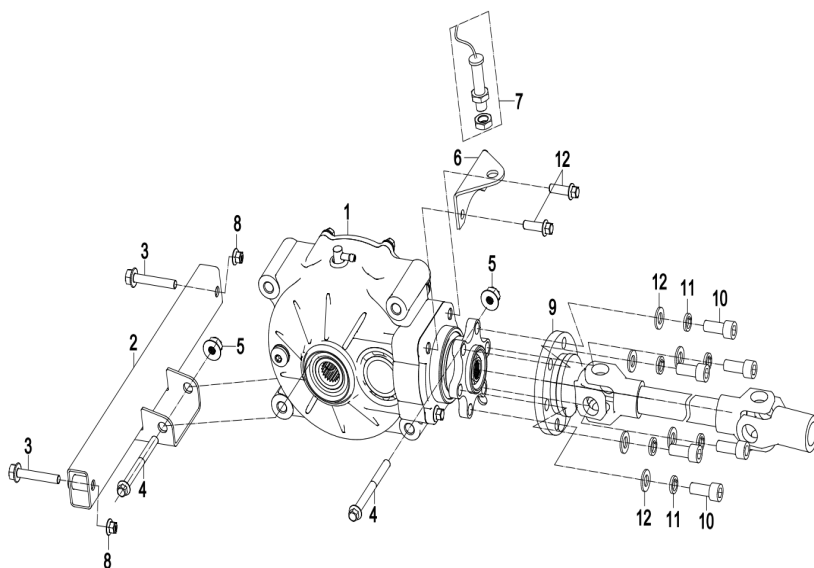
### REAR SUSPENSION SYSTEM



REF. No.	PART No.	PART NAME	Q'TY
1	1MU5510200	Bolt M10×1.25×80	8
2	1MU5510300	Bush 1, Arm	24
3	1MU5510500	Coller Rear , L Lower	8
4	2MU5511000	Arm Set,Rear .L Upper	1
5	2MU5531000	Arm Set,Rear .R Upper	1
6	9330310015261300	Nut M10×1.25 (GB/T 6187.2)	16
7	1MU5513010	Arm Set,Rear .L Lower	1
8	1MU5533010	Arm Set,Rear .R Lower	1
9	1MU5514600	Collar Upper	2
10	1MU5514300	Bolt M10×1.25×135	2
11	1MU5520100	Bolt M10×1.25×50	4
12	1MU55220021	Shock ASSY, Rear	2
13	1MU5514500	Collar Lower	2
14	1MU5515000	Seal 61.5 43 12	2
15	1MU5514100	Knuckle	2
16	1MU5517000	Bearing34	2

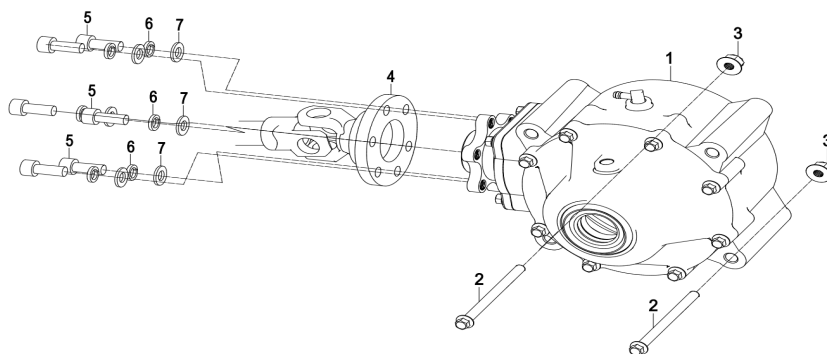
17	1MU5516000	Seal 58 41.2 12	2
18	9430158000000000	Circlip 58(GB/T 893.1)	2
19	1MU5514200	Bolt M10×1.25×110	2
20	1MU5555100	Hub, FR Wheel	2
21	1MU5555400	Brake Disc, R	2
22	1MU5555200	Bolt M12×1.25×36	8
23	9151308020281300	Bolt M8×20 (GB/T 5783)	8
24	1MUX551400	Rear Hub ASSY	2

### FRONT AXLE & FRONT DRIVE SHAFT



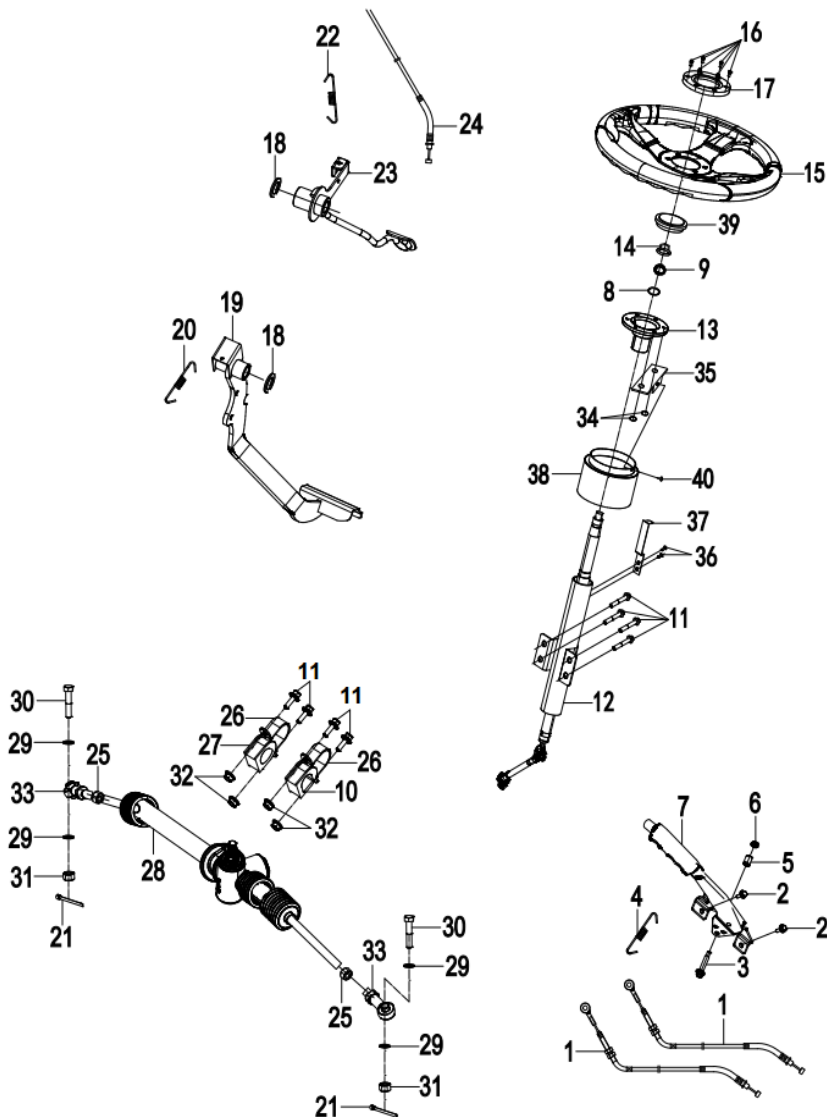
REF. No.	PART No.	PART NAME	Q'TY
1	2MU5750000	Front Axle	1
2	2MU5770000	Mounting Plate	1
3	9186308080261300	Bolt M8×80	2
4	2MU5701000	Bolt M10×1.25×85	2
5	9330310015261300	Nut M10×1.25	2
6	2MU5780000	Support For Vehicle Speed Sensor	1
7	2MU8093000	Speed Sensor	1
8	9330308013241300	Nut M8 (GB/T 6187.1)	2
9	2MU5760000	Front Drive Shaft	1
10	9218310025261300	Bolt M10×1.25×25	6
11	9403110000000000	Spring Washer φ10	6
12	9401310000031300	Flat Washer φ10	6

### REAR AXLE & REAR DRIVE SHAFT



REF. No.	PART No.	PART NAME	Q'TY
1	2MU5790000	Rear Axle	1
2	1MU5514200	Bolt M10×1.25×110	2
3	9330310015261300	Nut M10×1.25	2
4	2MU5730000	Rear Drive Shaft	1
5	9218310025261300	Bolt M10×1.25×25	6
6	9403110000000000	Spring Washer φ10	6
7	9401310000031300	Flat Washer φ10	6

### STEERING ASSY

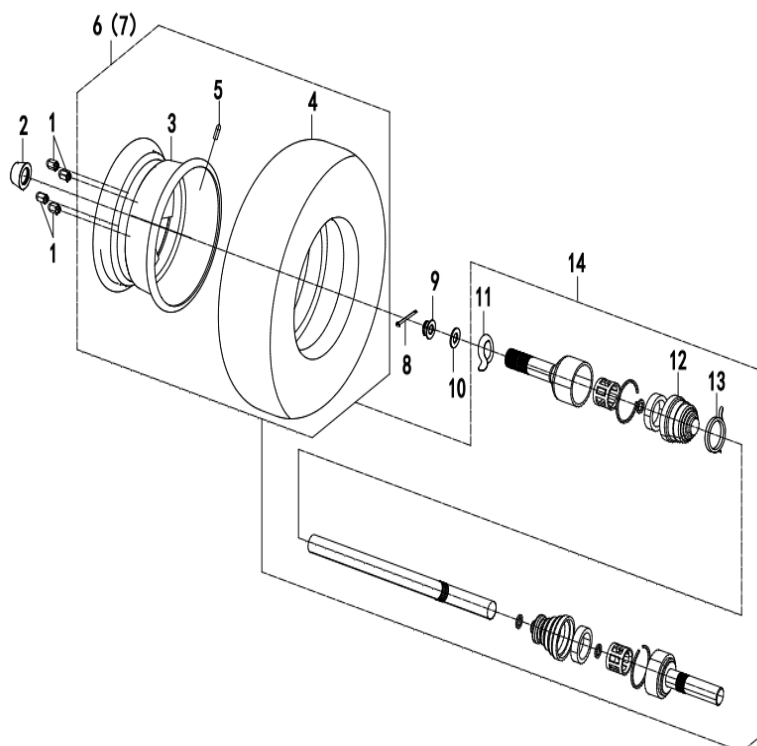


REF. No.	PART No.	PART NAME	Q'TY
1	2MU5652000	Parking cable	2
2	9186308016266300	Bolt M8×16 (GB/T 5789)	2
3	1MU5650300	Parking Handle Axis	1
4	1MU5650200	Spring, Parking Handle	1
5	1MU5650400	Bushing	1
6	9330306010141300	Nut M6 (GB/T 6187.1)	1
7	1MU5651000	Parking Handle ASSY	1
8	9401312000031300	Washer 12 (GB/T 97.1)	1
9	9403112000000000	Spring Washer 12 (GB/T 93)	1
10	1MU5610910	Bush B	1
11	9186310020281300	Bolt M10×1.25×20 (GB/T 5789)	8
12	1MU5613000	Steering Column,	1
13	2MU5610100	Steering Wheel Holder	1
14	9350312018261300	Nut M12×1.25 (GB/T 6173)	1



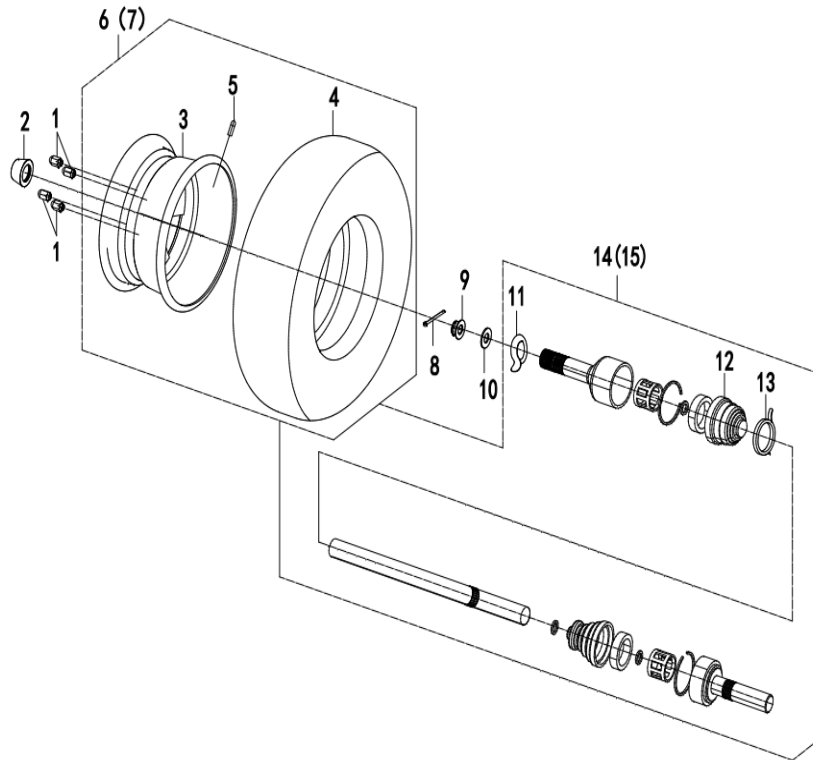
15	1MU5611000	Steering Wheel	1
16	9218250200100000	Screw M5×20 (GB/T 70.1 )	6
17	2MU5610200	Steering Wheel Cover	1
18	9431116000000000	Circlip 16	2
19	1MU5616010	Brake Paddle	1
20	1MU5610400	Brake Paddle Spring A	1
21	9500325025002300	COTTER PIN 2.5×25	2
22	1MU5610300	Throttle Spring	1
23	1MU5614000	Throttle Paddle	1
24	2MU5615010	Cable,Throttle	1
25	9350312018261300	Nut M12×1.25 (GB/T 6173)	1
26	1MU5610700	Cover, Steering	2
27	1MU5610810	Bush A	1
28	2MU5612010	Steering ASSY	1
29	9401310000031300	Washer 10 (GB/T 97.1)	4
30	9173310055281300	Bolt M10×1.25×55	2
31	9383310016261300	Slotted Nut M10×1.25 (GB/T 9459)	2
32	9330310015261300	Nut M10×1.25 (GB/T 6187.2)	4
33	1MU5617000	Tie Rod End B	2
34	9350305080011300	Nut M5 (GB/T 6172)	2
35	2MU5618110	Horn Switch Bracket	1
36	9214340060002300	Screw M4×6 (GB/T 818)	2
37	2MU5619000	Plastic Sleeve Bracket	1
38	2MU5618000	Steering Wheel Plastic Sleeve	1
39	2MU8061000	Horn Switch	1
40	9271348160006300	Screw ST4.8×16 (GB/T 845)	1

### FRONT WHEEL



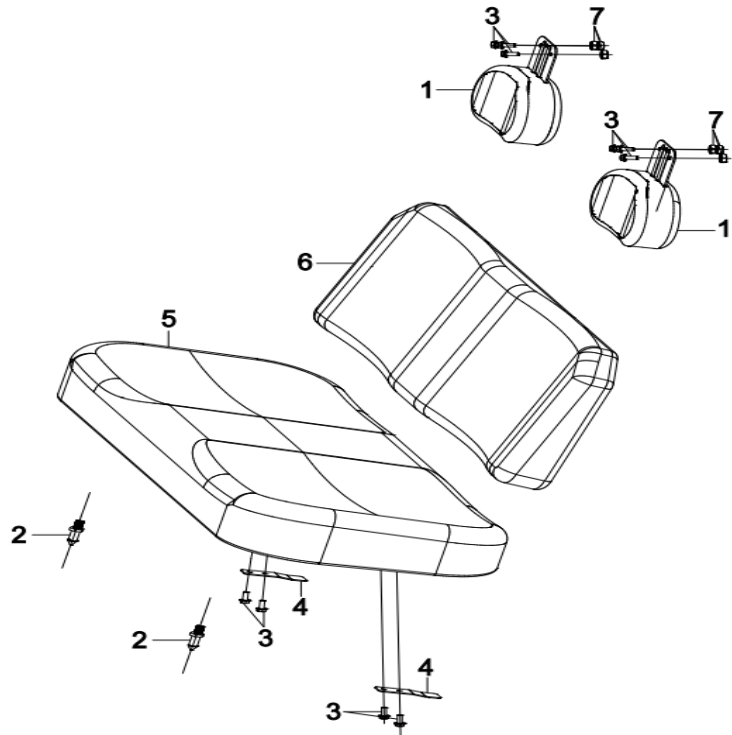
REF. No.	PART No.	PART NAME	Q'TY
1	1MU5450300	Nut, Wheel	8
2	1MU5450500	Wheel hub cap	2
3	1MU5456000	Rim (AL)	2
4	9924251208040000	FR25×8-12 Off Road Tire	2
5	1MU5554000	Valve, Rim(TR412)	4
6	1MUX546310	Tire ASSY FR (AL) 25×8-12 Off Road	1
7	1MUX546110	Tire ASSY FL (AL) 25×8-12 Off Road	1
8	9500340032002300	Cotter PIN 4×32	2
9	1MU5450400	Slotted Nut M20×1	2
10	9408320000001300	Washer 20 (GB/T 1230 )	2
11	1EU5710600	Clamp	2
12	1EU5710800	Boot	2
13	1EU5710900	Circlip A	2
14	2MU5740000	Front Drive Axle ASSY	2

### REAR WHEEL



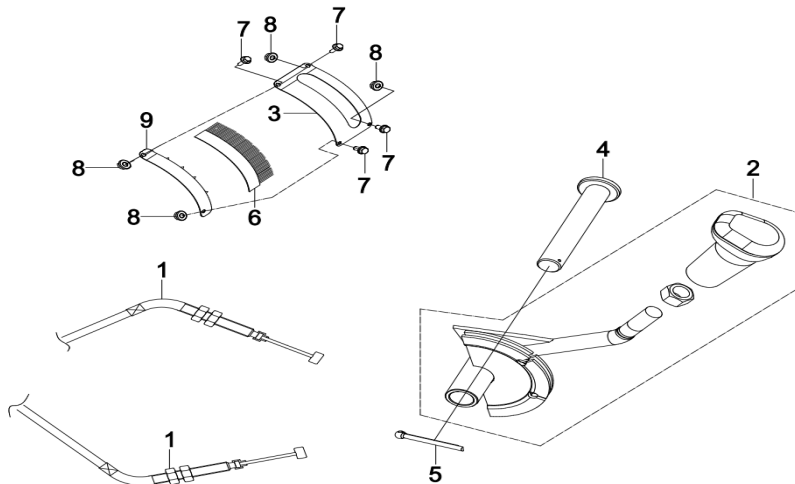
REF. No.	PART No.	PART NAME	Q'TY
1	1MU5450300	Nut, Wheel	8
2	1MU5450500	Wheel hub cap	2
3	1MU5456000	Rim(AL)	2
4	9924251210040000	RR25×10-12 Off Road Tire	2
5	1MU5554000	Valve, Rim(TR412)	4
6	1MUX556310	Tire ASSY RR (AL) 25×10-12 Off Road	1
7	1MUX556110	Tire ASSY RL (AL) 25×10-12 Off Road	1
8	9500340032002300	Cotter Pin 4×32	2
9	1MU5450400	Slotted Nut M20×1	2
10	9408320000001300	Washer 20 (GB/T 1230 )	2
11	1EU5710600	Clamp	2
12	1EU5710800	Boot	2
13	1EU5710900	Circlip A	2
14	2MU5710010	Rear Drive Axle ASSY ,L	1
15	2MU5720010	Rear Drive Axle ASSY ,R	1

**SEAT ASSY**



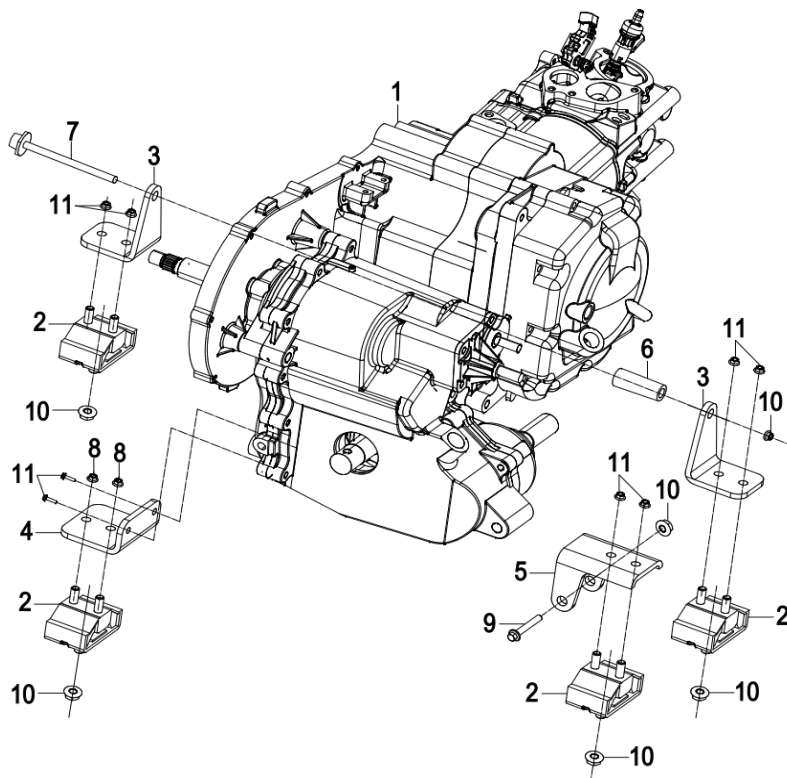
REF. No.	PART No.	PART NAME	Q'TY
1	1MU5820010	Head Rest ASSY	2
2	1MU5810210	Pin, Seat ASSY	2
3	9186306016166300	Bolt M6×16 (GB/T 5789)	10
4	1MU5810100	Seat Lock	2
5	1MU5810000	Seat ASSY	1
6	1MU5831000	Back Rest	1
7	9330306010141300	Nut M6 (GB/T 6187.1)	6

**SHIFT ROD**



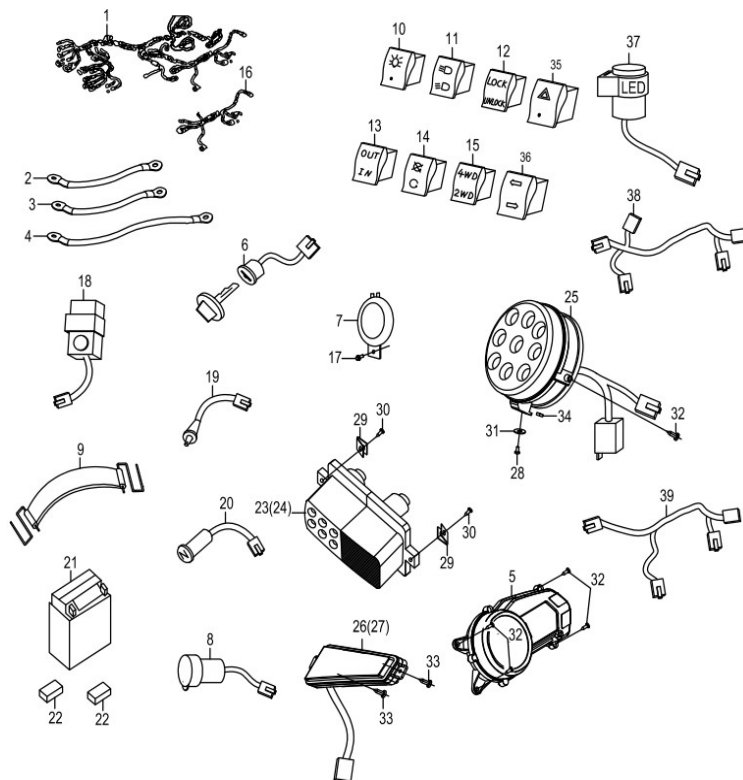
REF. No.	PART No.	PART NAME	Q'TY
1	2MU5662010	Shifter Cable	2
2	2MU5661010	Front Brake Caliper Body, R	1
3	2MU6014300	Shift Cover	1
4	1MU5660100	Axle Of The Shifter	1
5	9500325025002300	Cotter Pin 2.5×25	1
6	2MU6014500	Shift Brush	1
7	9214350160011300	Screw M5×16(GB/T 818)	4
8	9350305080011300	Nut M5	4
9	2MU6014400	Pressing Plate	1

### ENGINE MOUNTING SYSTEM



REF. No.	PART No.	PART NAME	Q'TY
1	1MQ1000000	Engine ASSY	1
2	2MU5015000	Engine Cushion Rubber	4
3	2MU5011000	Engine Front Bracket	2
4	2MU5012000	Gear Box Bracket, Left	1
5	2MU5013000	Gear Box Bracket	1
6	2MU5014000	Engine Front Bracket Sleeve	1
7	2MU5016000	Bolt M10×1.25×210	1
8	9186310020281300	Bolt M10×1.25×20 (GB/T 5789)	2
9	1MU5510200	Bolt M10×1.25×80 (GB/T 5789)	1
10	9330310015261300	Nut M10×1.25 (GB/T 6187.2)	6
11	9330308013241300	Nut M8 (GB/T 6187.1)	8

### ELECTRICAL SYSTEM

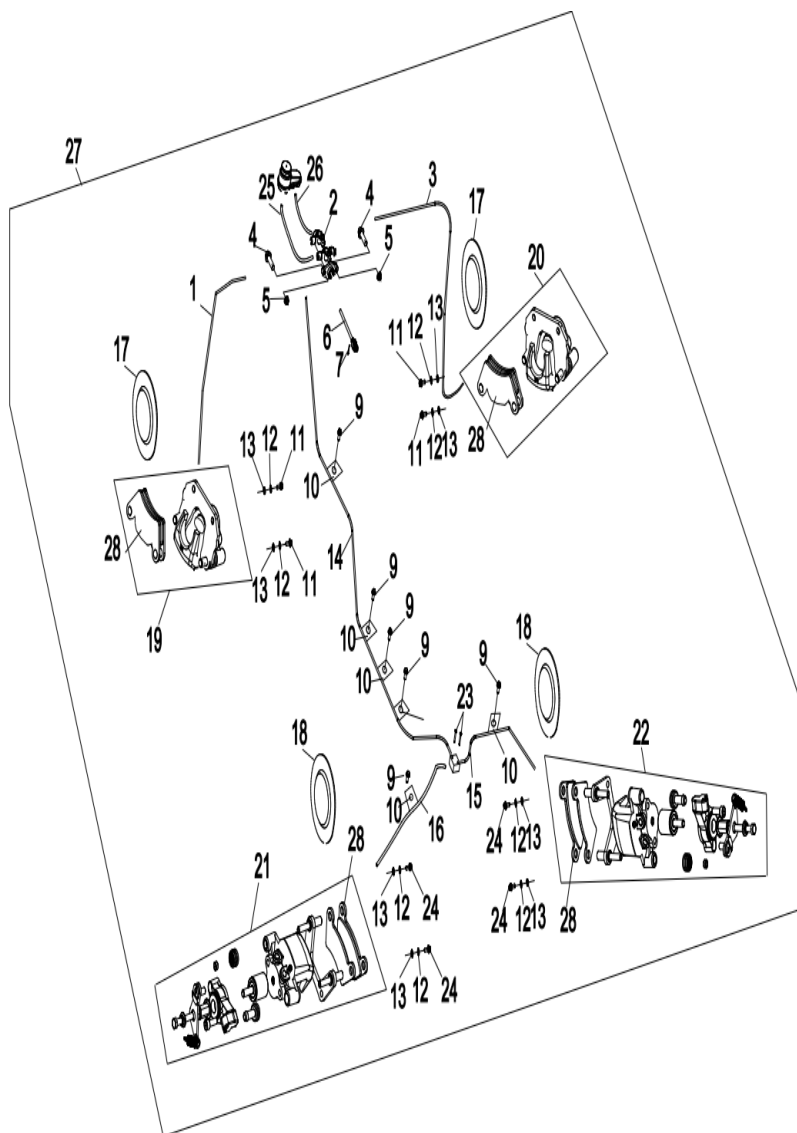


REF. No.	PART No.	PART NAME	Q'TY
1	2MU8070030	Main Wire	2
2	2MU8081000	Starter Wire 1	1
3	2MU8082010	Starter Wire 2	1
4	2MU8084000	Starter Motor Wire	1
5	2MU8031010	LCD Meter (XY450U-25Inch)	1
6	1MU8051000	Ignition Switch	1
7	1MU8064000	Horn	1
8	1MU8063000	Accessory Socket ASSY	1
9	2MU8101000	Battery Belt	1
10	2MU8052000	Light Switch	1
11	2MU8053000	HI/ LO Beam Switch	1
12	2MU8055000	Rear Differential Lock Switch.	1
13	2MU8056000	Tractor Switch	1
15	2MU8058000	2WD-4WD Switch	1
16	2MU8083000	Starter Wire 2	1
17	9186306016166300	Bolt M6×16 (GB/T 5789)	1
18	1MU8091000	Reverse Relay ASSY	1
19	1MU8085000	Parking Switch	1
20	1MU8018000	Neutral Light	1
21	2MU8020100	UPG Battery (12V 35Ah)	1
22	1MU6180100	Plate Lower Damper	6
23	1MU8020300	LED Tail Light,R(Passenger Side)	1

REF. No.	PART No.	PART NAME	Q'TY
24	1MU8020400	LED Tail Light, R(Driver Side)	1
25	1MU8020510	Head Light(LED)	2
26	1MU8020100	LED Turn Signal Light, FR	1
27	1MU8020200	LED Turn Signal Light, FL	1
28	9214350160011300	Screw M5×16(GB/T 818)	4
29	9397342000002300	Spring Nut ST4.2 (Q397A)	4
30	9271348160006300	Screw ST4.8×16 (GB/T 845)	4
31	9402305000031300	Washer 5 (GB/T 96.1)	2
32	9271342130006300	Screw ST4.2×13 (GB/T 845)	6
33	9271339095006300	Screw ST3.9×9.5 (GB/T 845)	4
34	1MU8020900	Square Nut M5	2
35	2MU8054000	Emergency Alarm Switch	1
36	2MU8059000	Steering Lamp Switch	1
37	1MU8020800	Flasher Relay ASSY (LED)	1



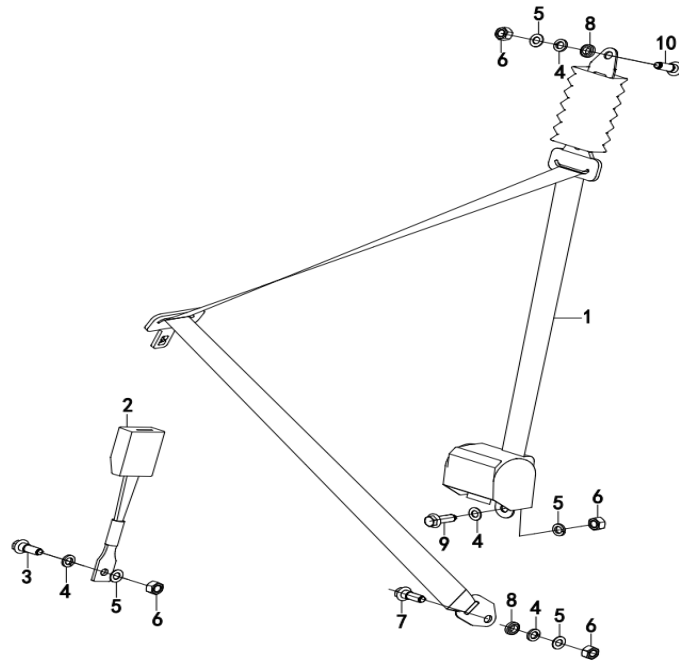
**BRAKING ASSY**



REF. No.	PART No.	PART NAME	Q'TY
1	1MU5635000	Front Brake Hose Assemblies (Driver Side)	1
2	1MU5632000	Brake Master Pump ASSY	1
3	1MU5636000	Front Brake Hose Assemblies(Passenger Side)	1
4	9184308030261300	Bolt M8×30 (GB/T 16674.1)	2
5	9330308013241300	Nut M8 (GB/T 6187.1)	2
6	1MU5632700	Putter	1
7	9500320025002300	Cotter Pin 2.0×25	1
8	9151308025281300	Bolt M8×25 (GB/T 5783)	2
9	9184306012161300	Bolt M6×12 (GB/T 16674.1)	6
10	1MU5631100	clamp	8
11	9151308025281300	Bolt M8×25 (GB/T 5783)	2
12	9403108000000000	Spring Washer 8 (GB/T 93)	8
13	9401308000031300	Washer 8 (GB/T 97.1)	8
14	1MU5642000	Middle Brake Hose Assemblies	1
15	1MU5641000	Rear Brake Hose Assemblies(Passenger Side)	1

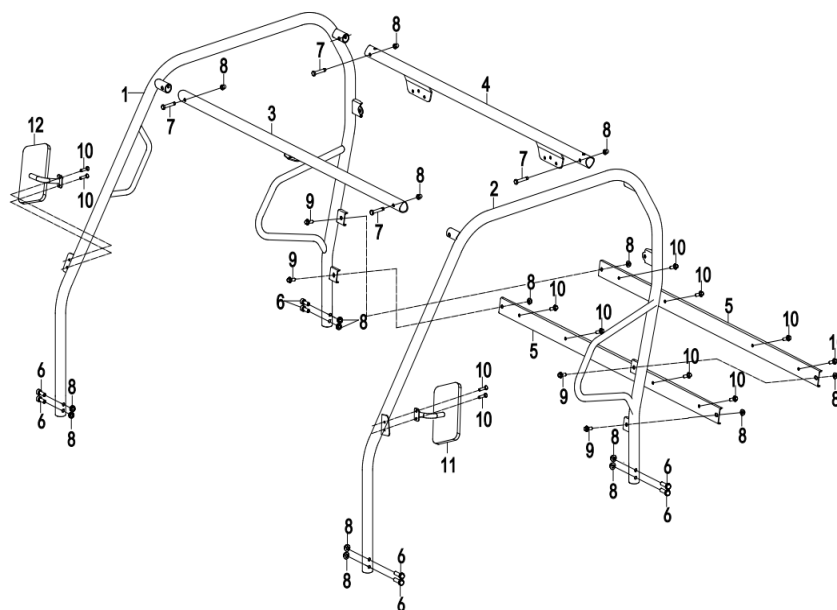
16	1MU5639000	Rear Brake Hose Assemblies (Driver Side)	1
17	1MU5455300	Brake Disc, F	2
18	1MU5555400	Brake Disc, R	2
19	1MU5633000	Front Brake caliper ASSY (Driver Side)	1
20	1MU5634000	Front Brake caliper ASSY(Passenger Side)	1
21	1MU5637000	Rear Brake caliper ASSY (Driver Side)	1
22	1MU5638000	Rear Brake caliper ASSY(Passenger Side)	1
23	9214350300012300	Screw M5×30(GB/T 818)	2
24	9151308020281300	Bolt M8×20 (GB/T 5783)	4
25	1MU5632400	Main Pump Brake Hose, R	1
26	1MU5632300	Main Pump Brake Hose, F	1
27	1MU5630000	Brake Assembly	1
28	1MU5633200	Inside/Outside pad	4

**SEAT BELT**



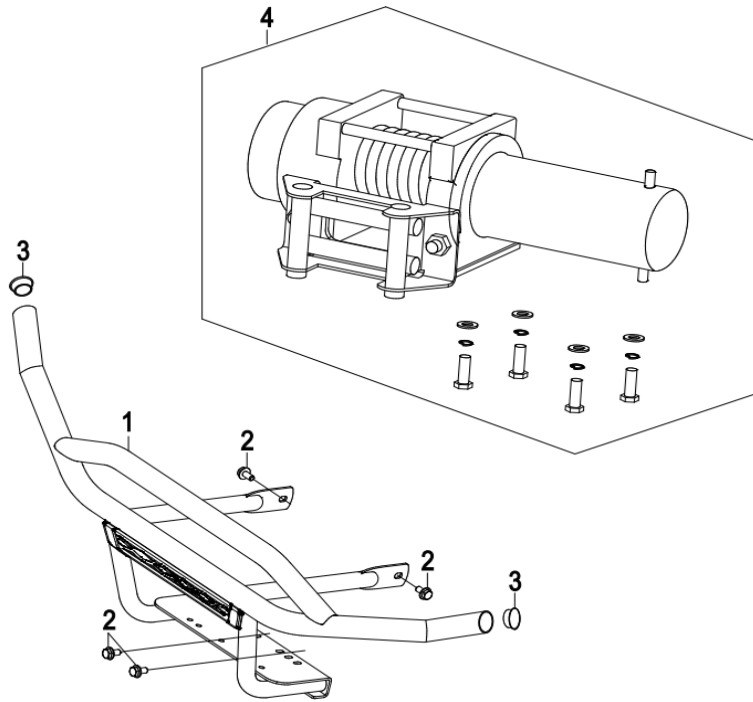
REF. No.	PART No.	PART NAME	Q'TY
1	1MU7150000	Belt(3 POINT)	2
2	1MU7155000	Belt Lock ASSY	2
3	1MU7150100	Bolt	2
4	1MU7150200	Spring Washer	8
5	1MU7150300	Washer	8
6	1MU7150400	Nut	8
7	1MU7150500	Bolt A	2
8	1MU7150600	Washer	4
9	1MU7150700	Bolt	2
10	1MU7150800	Bolt B	2

### Roll Cage



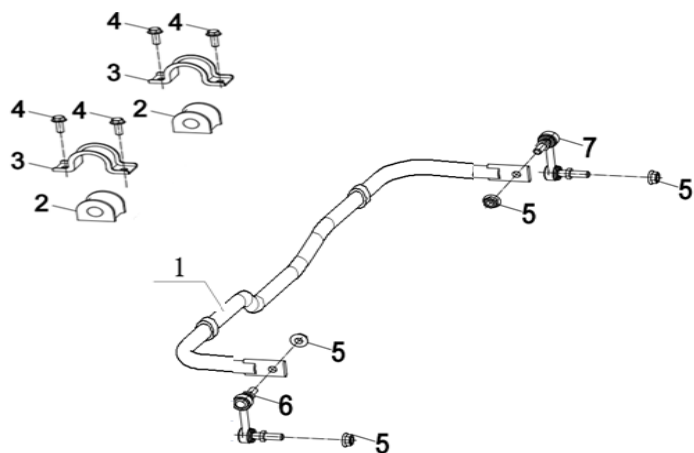
REF. No.	PART No.	PART NAME	Q'TY
1	2MU5210020	Roof Frame 1	1
2	2MU5240010	Roof Frame 4	1
3	1MU522000001	Roof Frame 2	1
4	1MU523000001	Roof Frame 3	1
5	1MU5830100	Mounting Bracket	2
6	1MU5520100	Bolt M10×1.25×50	8
7	9186310045281300	Bolt M10×1.25×45 (GB/T 5789)	4
8	9330310015261300	Nut M10×1.25 (GB/T 6187.2)	16
9	9186310016286300	Bolt M10×1.25×16 (GB/T 5789)	4
10	9186306016166300	Bolt M6×16 (GB/T 5789)	8
11	2MU7022000	Left Rear View Mirror	1
12	2MU7021000	Right Rear View Mirror	1

### Front bumper



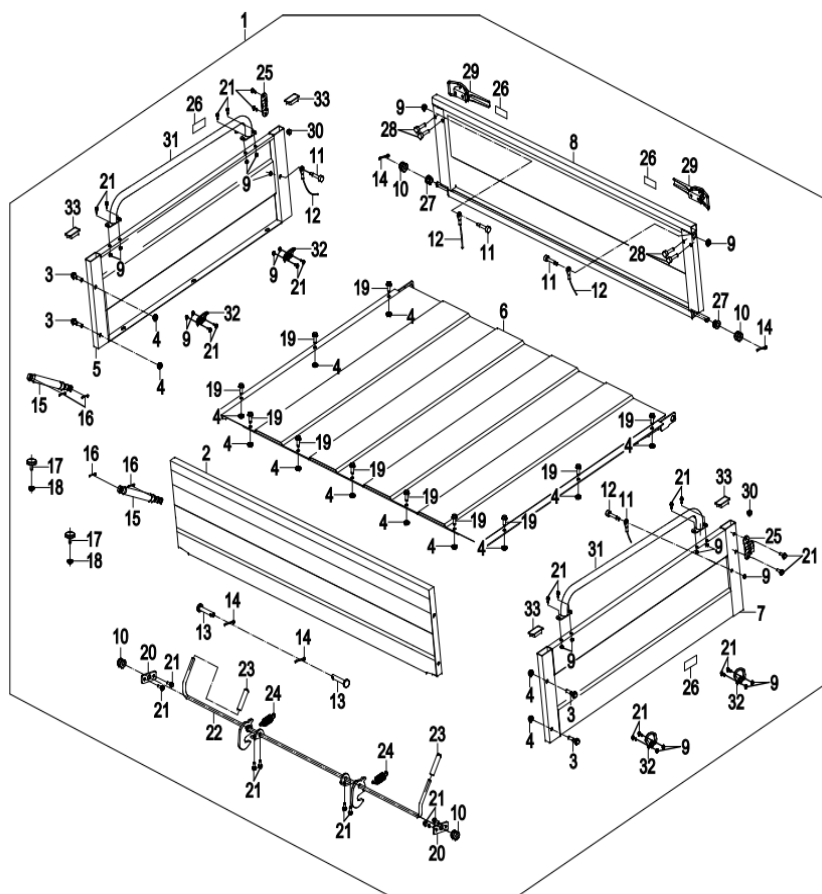
REF. No.	PART No.	PART NAME	Q'TY
1	2MU5250010	Front Bumper	1
2	9186308020261300	Bolt M8×20 (GB/T 5789)	4
3	1MU5000100	Plug	2
4	2MU8020200	Winch ASSY	1

**Rear stabilizer bar**



REF. No.	PART No.	PART NAME	Q'TY
1	2MU5561000	BAR ,STABILIZER	1
2	1MU5560200	BUSH.STABILIZER	2
3	1MU5560100	HOLDER,STABILIZER BUSH	2
4	9186308020261300	Bolt M8×20 (GB/T 5789)	4
5	9330310015261300	Nut M10×1.25 (GB/T 6187.2)	4
6	1MU5563000	STABILIZER R JOINT	1
7	1MU5562000	STABILIZER L JOINT	1

### Cargo box

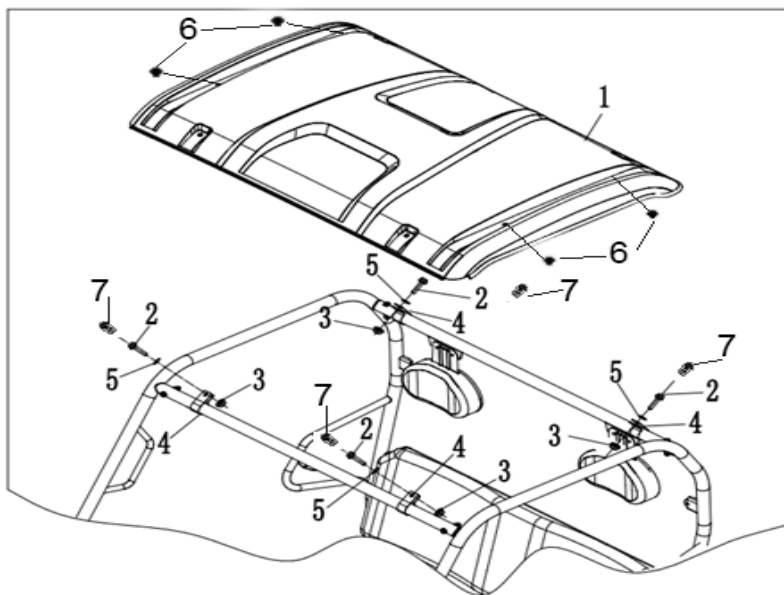


REF. No.	PART No.	PART NAME	Q'TY
1	2MU53100041	Carrier Box ASSY(Red)	1
	2MU53100072	Carrier Box ASSY(Blue)	1
	2MU531000-G	Carrier Box ASSY(green)	1
	2MU531000-CF	Carrier Box ASSY(carbon fiber)	1
	2MU53100081	Carrier Box ASSY(Camo)	1
2	2MU5318000	Box Cover ,Front	1
3	9186308040266300	Bolt M8×40 (GB/T 5789)	4
4	9330308013241300	Nut M8 (GB/T 6187.1)	15
5	2MU53170041	Box Cover, Right(Red)	1
	2MU53170072	Box Cover, Right(Blue)	1
	2MU53170000-G	Box Cover, Right(green)	1
	2MU53170000-CF	Box Cover, Right(carbon fiber)	1
	2MU53170081	Box Cover, Right(Camo)	1
6	2MU5312000	Box Cover ,Bottom	1
7	2MU53160041	Box Cover,Left(Red)	1
	2MU53160072	Box Cover,Left(Blue)	1
	2MU53160000-G	Box Cover,Left(green)	1
	2MU53160000-CF	Box Cover,Left(carbon fiber)	1
	2MU53160081	Box Cover,Left(Camo)	1
8	2MU53140041	Box Cover,Rear(Red)	1

	2MU53140072	Box Cover,Rear(Blue)	1
	2MU53140000-G	Box Cover,Rear(Green)	1
	2MU53140000-CF	Box Cover,Rear(carbon fiber)	1
	2MU53140081	Box Cover,Rear(Camo)	1
9	9330306010141300	Nut M6 (GB/T 6187.1)	20
10	1MU6011300	Fixed Hood Ring	4
11	1MU5650300	Parking Handle Axis	4
12	2MU5903600	Cord Stay	2
13	1MU5900100	Pin Axle	2
14	9500340032002300	Cotter Pin 4×32	4
15	2MU5902000	Damper	2
16	9500325025002300	Cotter Pin 2.5×25	4
17	1MU5901000	Rubber Stopper	2
18	9350308013245300	Nut M8 (GB/T 6170)	
19	9186308020261300	Bolt M8×20 (GB/T 5789)	11
20	1MU5910600	Holder, Latch	2
21	9186306016166300	Bolt M6×16 (GB/T 5789)	28
22	2MU5915020	Latch ASSY	1
23	1MU5910730	Protector End Cap	2
24	1MU5910500	Spring	2
25	2MU5903600	Hook Plate	2
26	1MU6140910	Reflecting Film(Red)	4
27	2MU590370001	Plastic Sleeve	2
28	9184306035166300	Bolt M6×35 (GB/T 5789)	4
29	2MU5903000	Holder Stick ASSY	2
30	1MU5900200	Cushion rubber	2
31	2MU5319200	Handrail	2
32	2MU5903800	Hook	4
33	1MU7087600	Plug 50*25	4
34	9401306000031300	GB/T 97.1 6 wahser	14

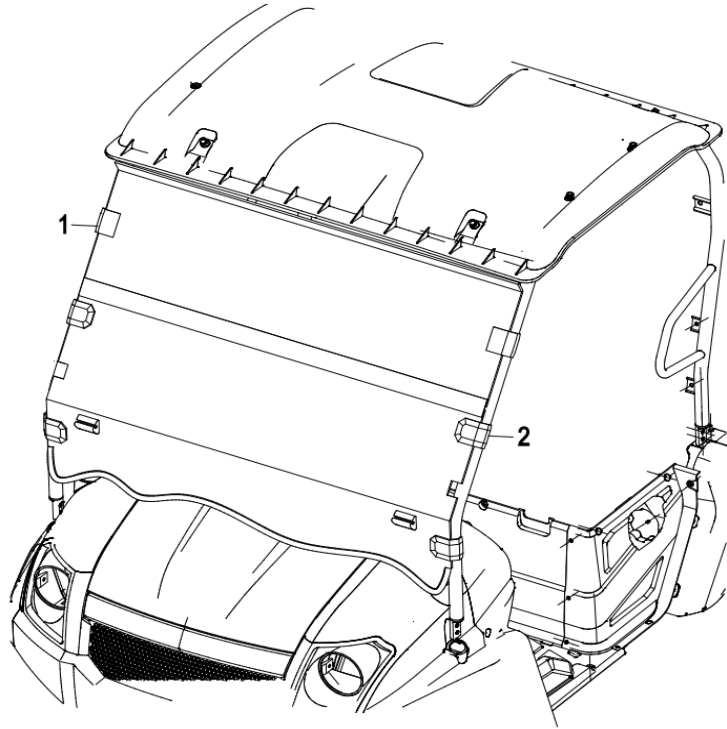


### Roof



REF. No.	PART No.	PART NAME	Q'TY
1	1MU7060100	Roof	1
2	9184308025261300	Bolt M8×25 (GB/T 16674.1)	4
3	9330308013241300	Nut M8 (GB/T 6187.1)	4
4	1MU7060200	Roof Rubber	4
5	9401308000031300	Washer 8 (GB/T 97.1)	4
6	1MU7060300	Plug φ12	4
7	1MU7060400	Roof Bolt Cover	4

### Windshield



REF. No.	PART No.	PART NAME	Q'TY
1	1MU7070020	Windshield ASSY	1
2	1MU7072000	Windshield Hold Hoop	4